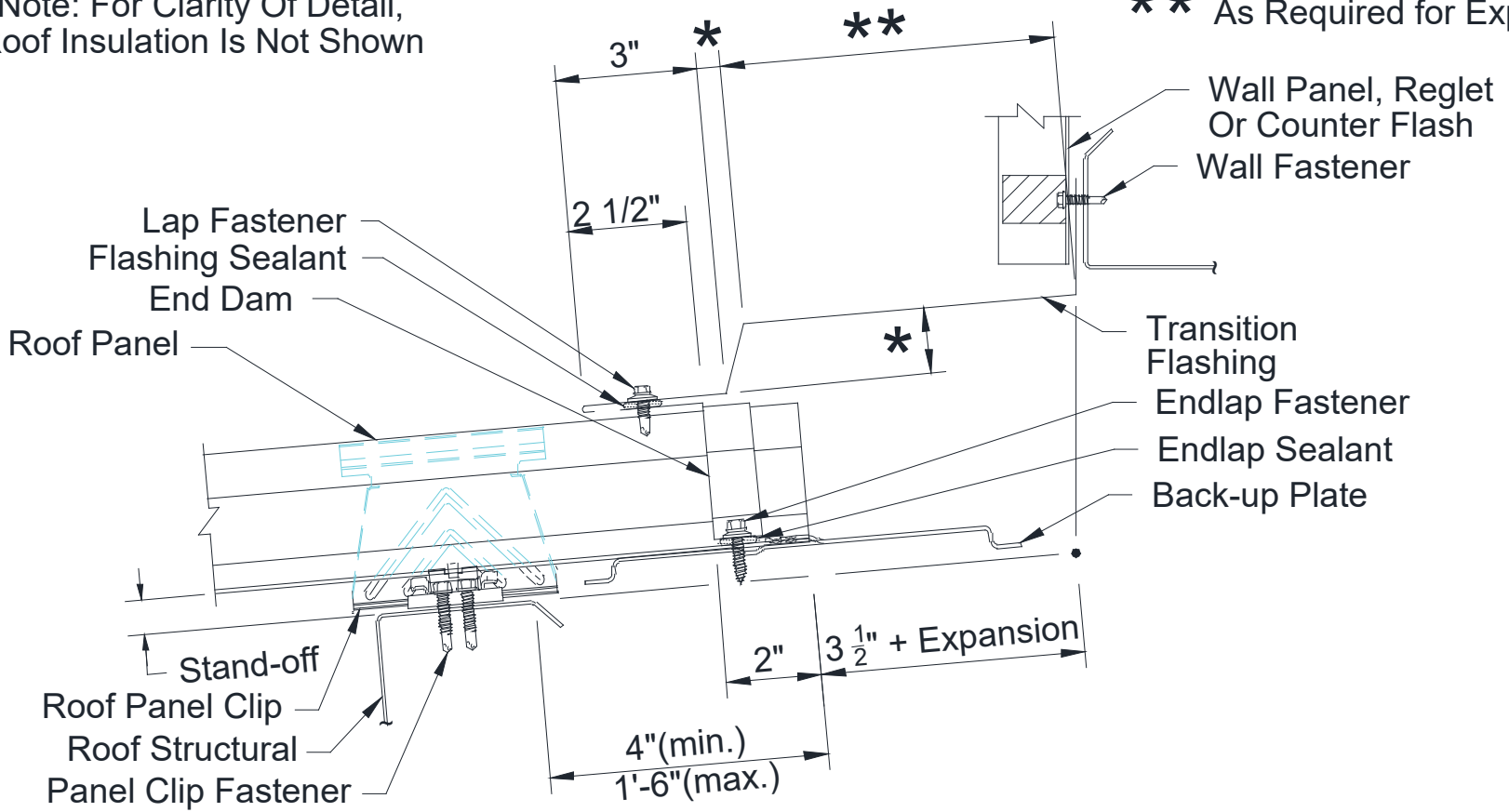
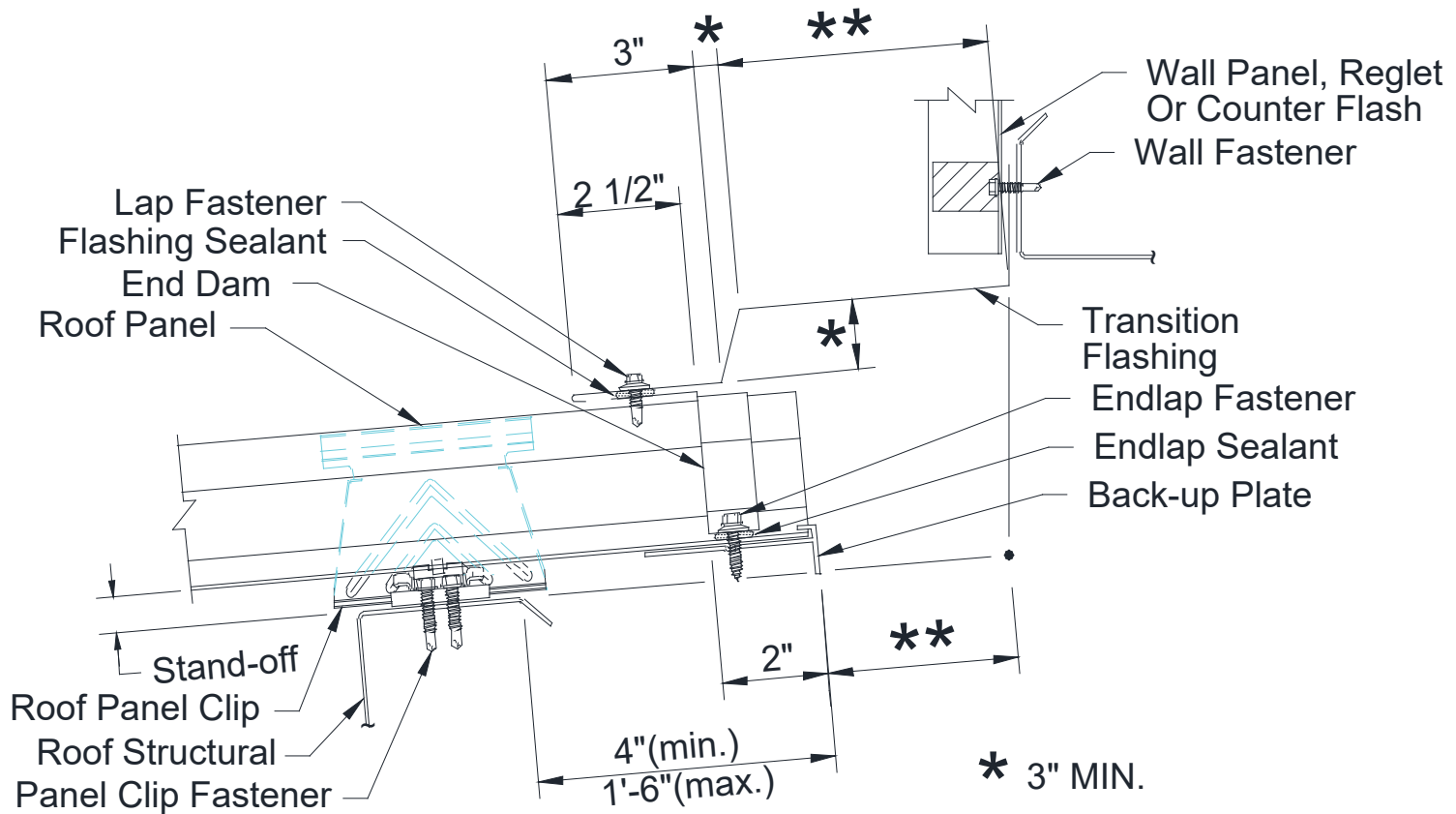


Note: For Clarity Of Detail,
Roof Insulation Is Not Shown

* Determined By Manufacturer
** As Required for Expansion



STANDARD HIGH EAVE TRANSITION - V.2 BACK-UP PLATE



ALTERNATE HIGH EAVE TRANSITION - ORIGINAL BACK-UP PLATE