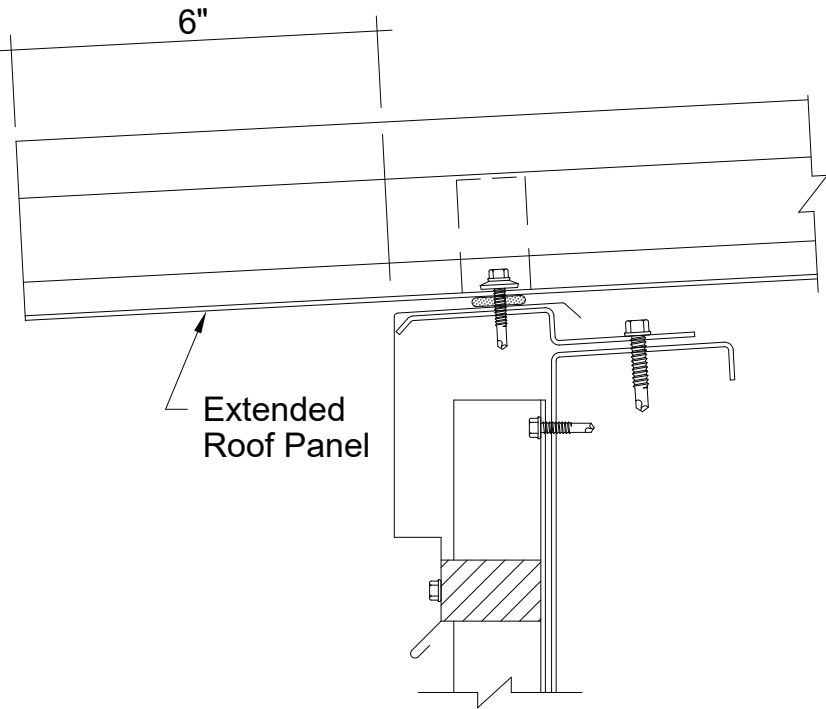
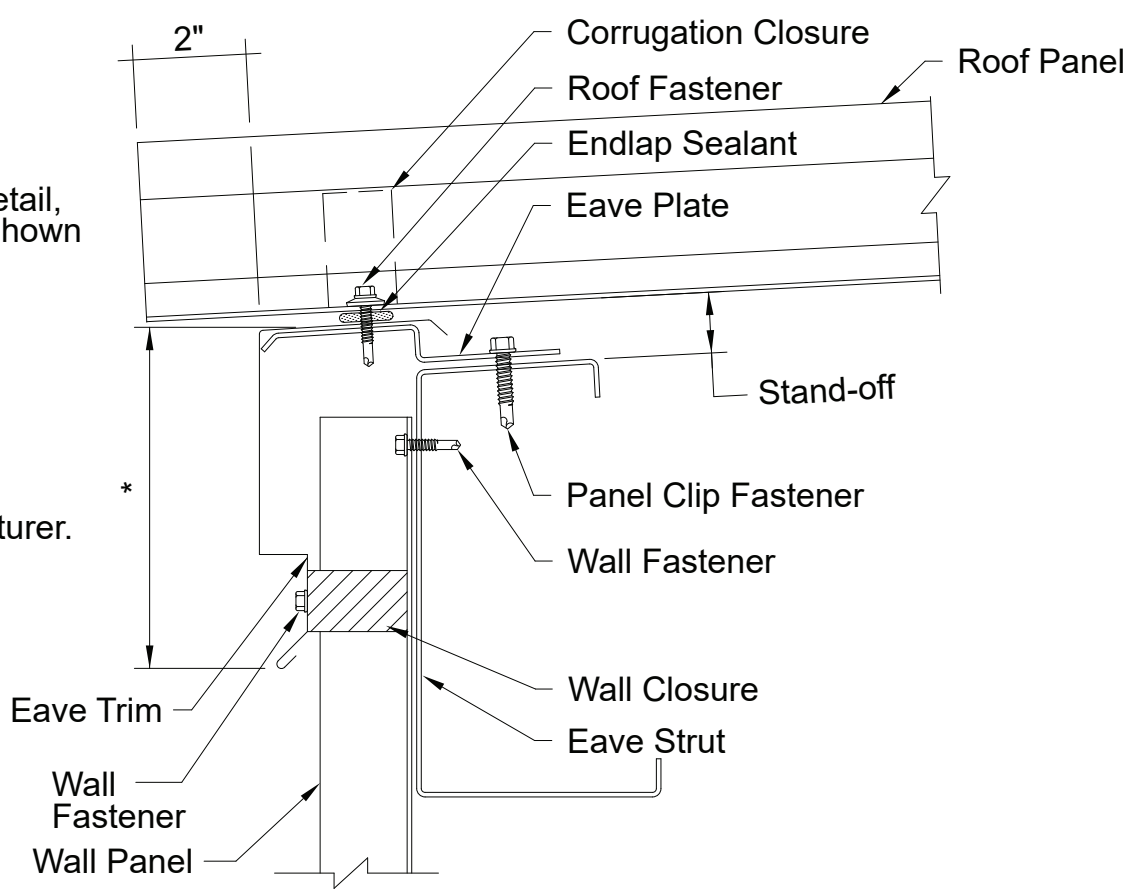
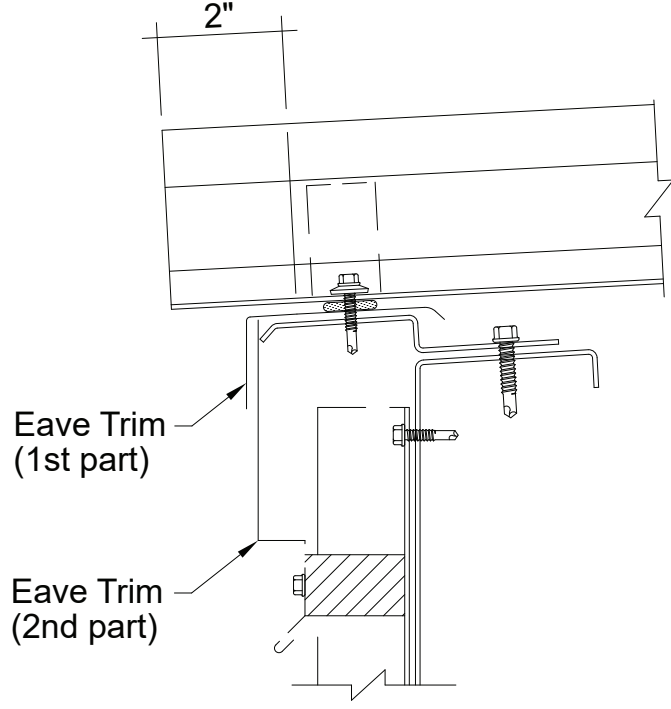


Note: For Clarity Of Detail,  
Roof Insulation Is Not Shown

\* Determined By Manufacturer.



Extended Roof (For Heavy Snow And Ice Areas)



Alternate Two Part Eave Trim (To Allow Installation Of Wall Panel After Roof Is In Place)