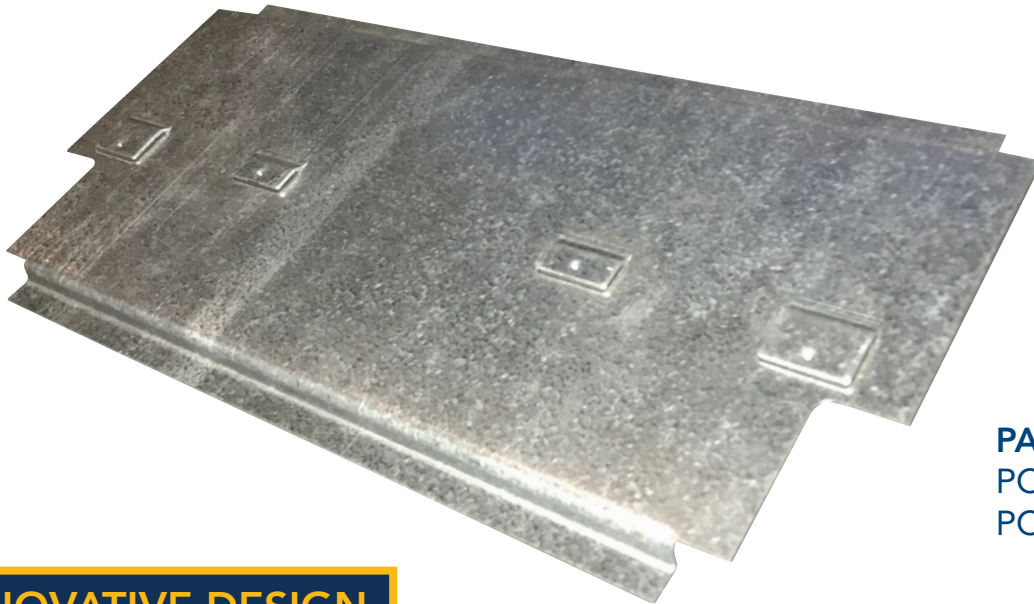


PANELCRAFT BACK-UP PLATE



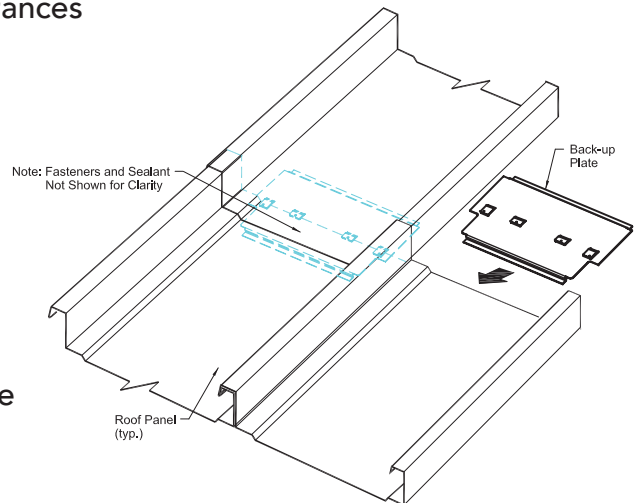
PART NUMBERS:

PC-218 PC216

PC-218-0 PC-216-0

INNOVATIVE DESIGN

- Precision stamped parts adhere to stricter design tolerances
- Versatile options, Inline or Staggered end-laps
- Four (4) dimple imprinted staggered tabs provide :
 - Easier and quicker installation
 - Positive friction holds plate firmly in place
 - No required clamps to hold in place while upslope panel is installed.
- No punch provides clean fastener attachment substrate
- Wider substrate panel support prevents lap rotation
- Ease of cinch strap placement
- Galvanized G-90 material for longevity /durability
- Part flanges act as stiffener against bending for gravity loads and uplift
- Parts available without flanges for placement onto deck or rigid insulation



DESIGNING SOLUTIONS
FOR TOMORROW

