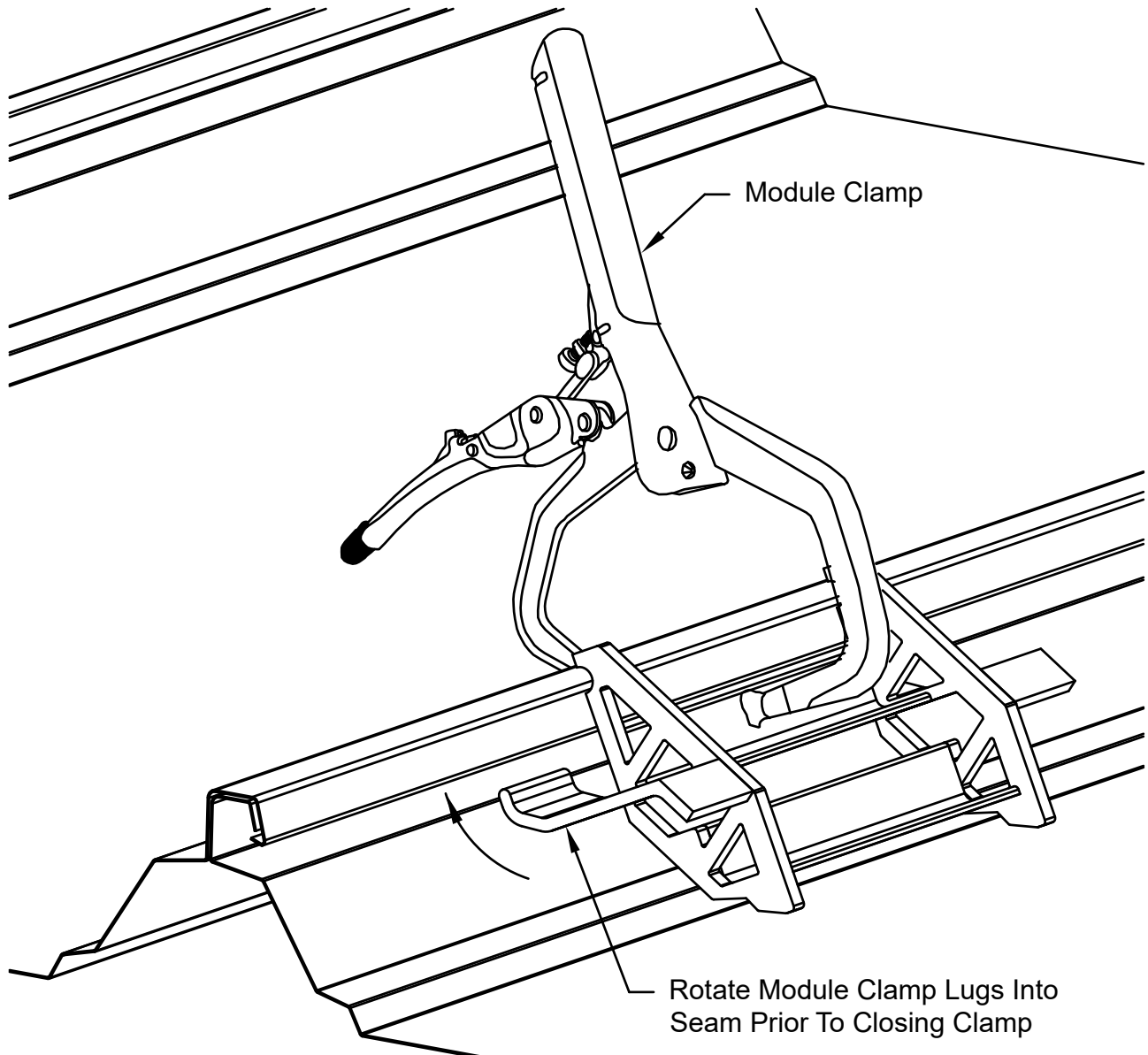


Holding module on a trapezoidal roof has always been a challenge. With the introduction of taller clips and more insulation under the roof panel, the challenge is even greater. To assist with holding module, BRS has developed a patented module clamp/bar system. BRS believes it is the most effective way to hold module on a trapezoidal roof panel. This technical bulletin will describe how to use the module clamp/bar system.

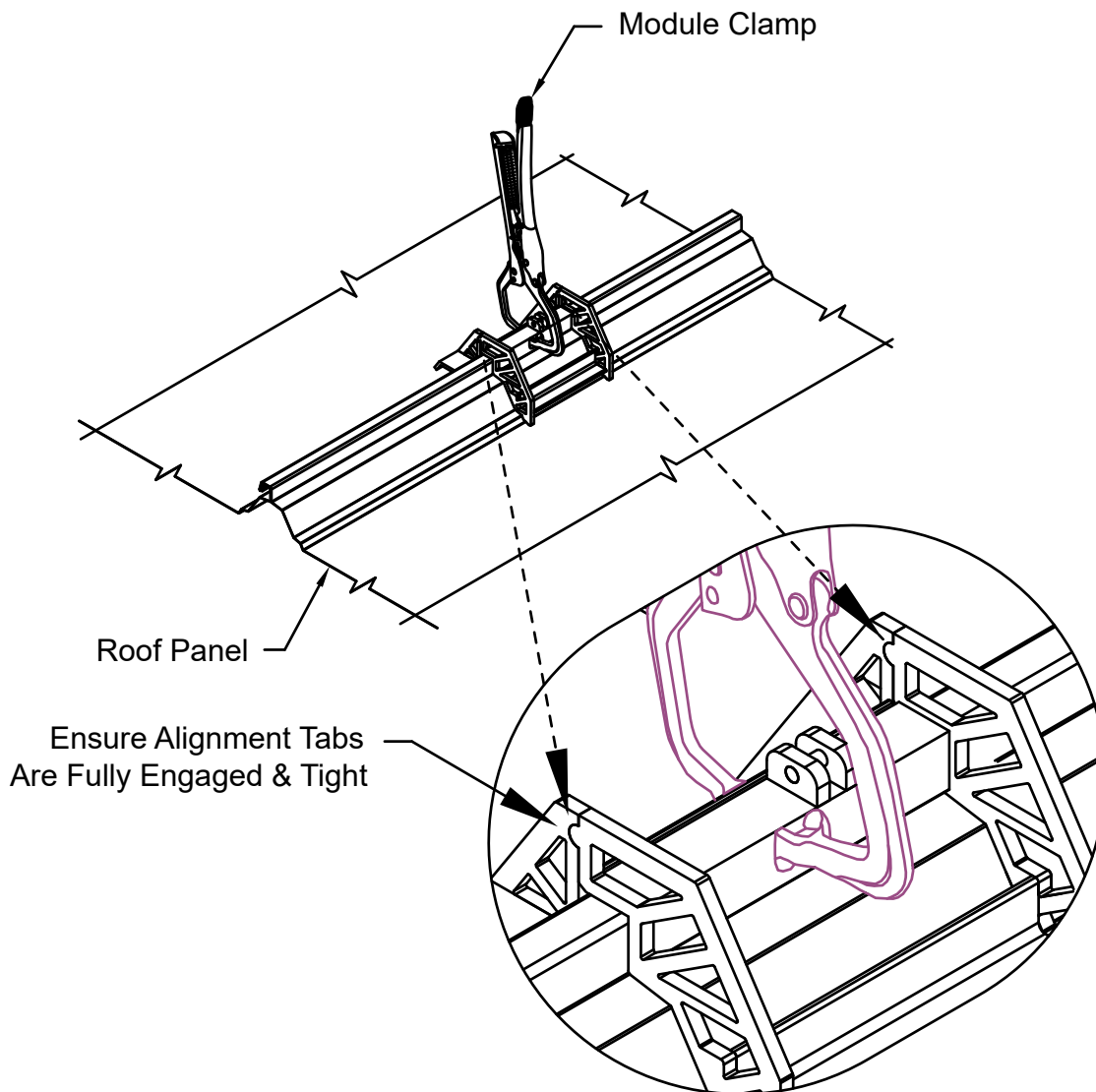
BRS recommends the module clamp/module bars to be spaced no more than 20 feet apart. The T-Bars are recommended to be no more than 10 feet apart.

The information on this technical bulletin is provided to you for your information purposes only. BRS Inc. Makes no claim as to its suitability for any use you intend to put the information. You should verify that this information is suitable for your use before incorporating it in any product or communication.

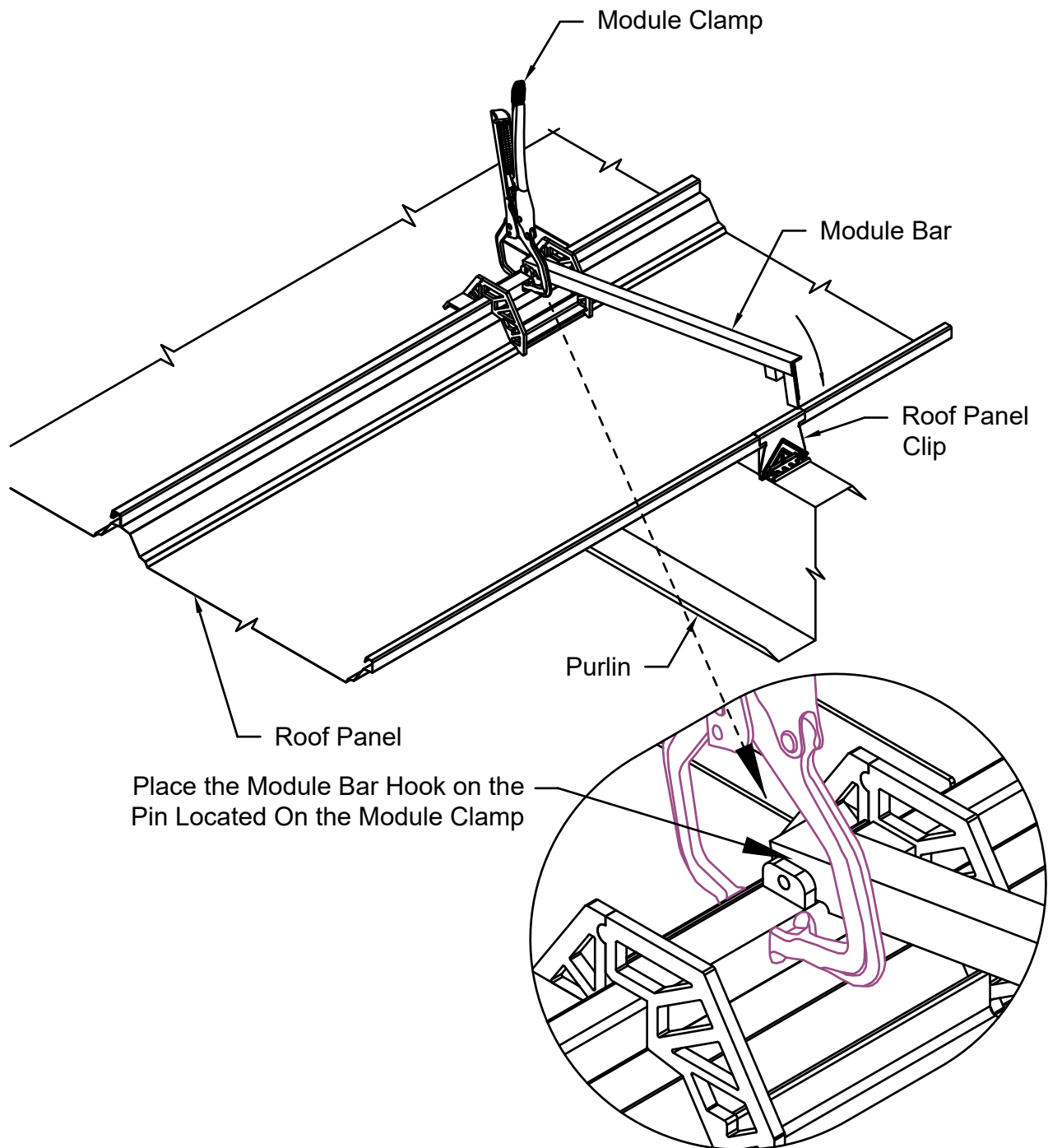
Install your first panel run using a tape measure to establish one completed seam. Once you have a completed seam, you're ready to install the module clamp. With the clamp in the open position, the lugs on the module clamp can be rotated up into the seam.



Once the clamp lugs are correctly nested into the seam, you will be able to close the clamp. The alignment tabs between the mating halves of the clamp should be fully engaged and tight to one another. The profiled legs of the module clamp should follow and be tucked tight to the profile of the corrugation. The module clamp has an adjustment screw to adjust tension of the clamping pliers should the module clamp be applying force too tightly or too loosely.

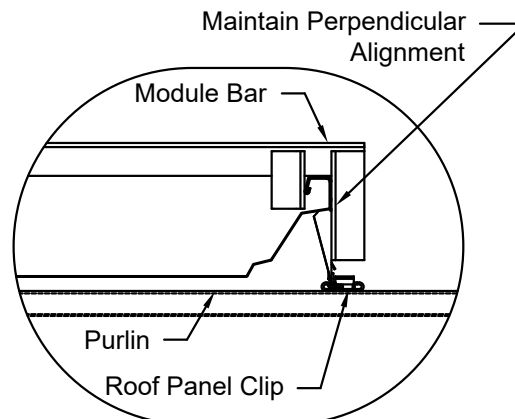
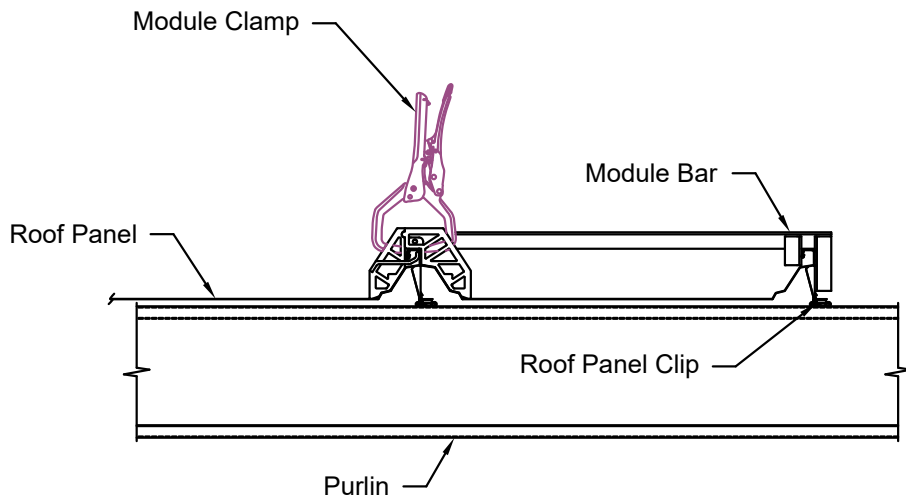
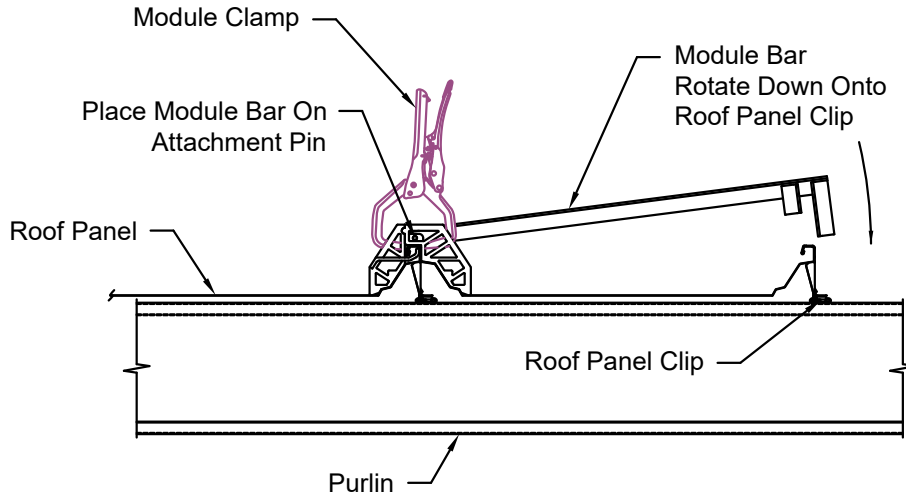


Next, install the roof panel clip to the leading edge of the roof panel assembly properly positioned over the roof purlin. Next, attach the module bar to the module clamp by placing the notch located at one end of the module bar to the pin located on the module clamp. Then rotate the module bar down onto the roof panel and clip assembly.



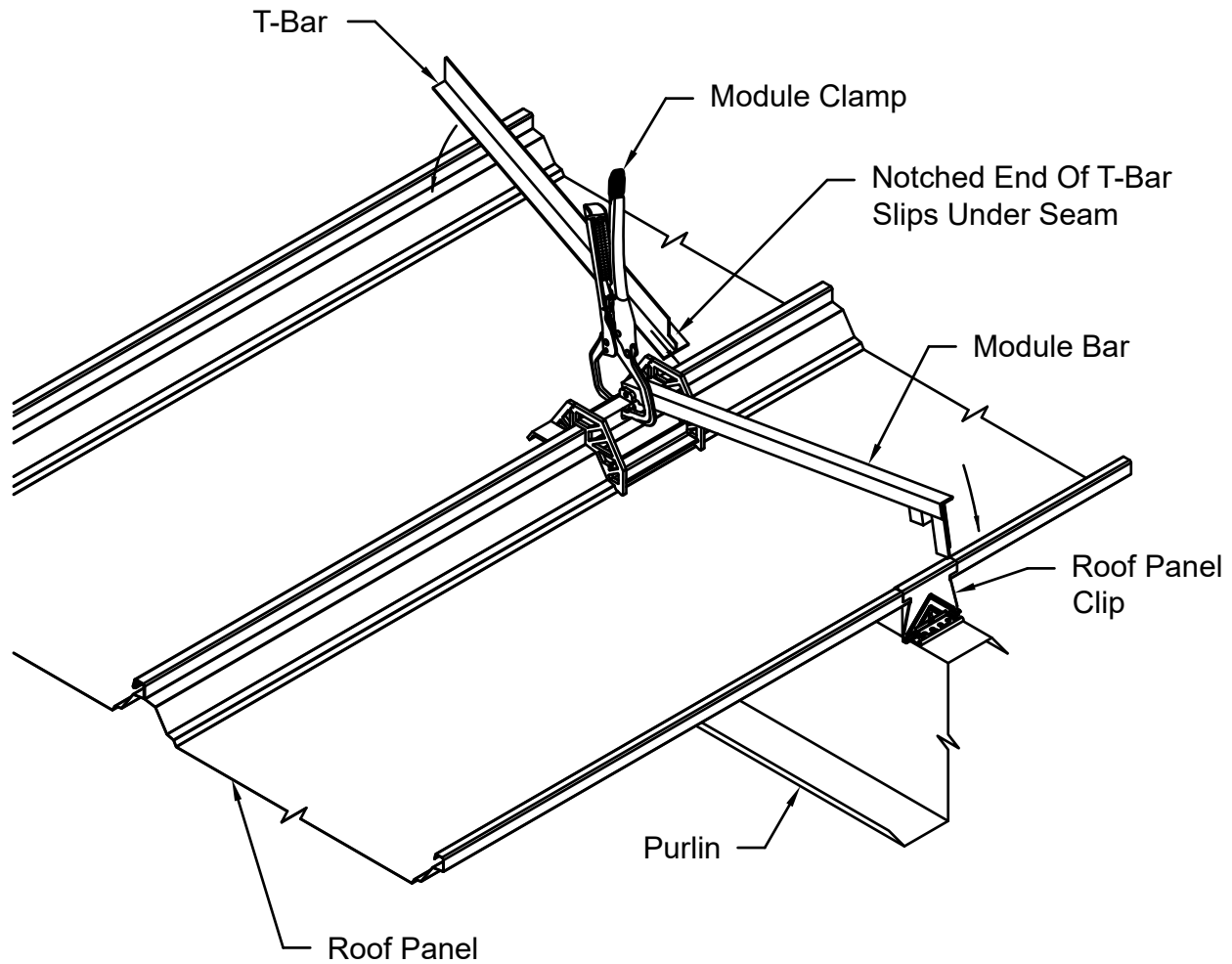
The information on this technical bulletin is provided to you for your information purposes only. BRS Inc. Makes no claim as to its suitability for any use you intend to put the information. You should verify that this information is suitable for your use before incorporating it in any product or communication.

Once the module bar is rotated down onto the roof panel clip, the clip should be in perpendicular alignment to the roof purlin. Maintain this perpendicular alignment while the roof panel clip fasteners are installed.



The information on this technical bulletin is provided to you for your information purposes only. BRS Inc. Makes no claim as to its suitability for any use you intend to put the information. You should verify that this information is suitable for your use before incorporating it in any product or communication.

Once two completed corrugations are installed, the module T-Bars can be installed. The T-Bar has a notched end. This end is to be placed under the seam. The other end will be placed on the back side shoulder of the previous corrugation.



The information on this technical bulletin is provided to you for your information purposes only. BRS Inc. Makes no claim as to its suitability for any use you intend to put the information. You should verify that this information is suitable for your use before incorporating it in any product or communication.