

TS-324 Architectural Details – August 2021 Update – Release Notes

1. Added new Rake Starter Plates to any gable details.
2. Added optional details at any gables to utilize Rake Plates in lieu of Rake Starter Plates.
3. Added northern style gutter detail.
4. Removed all references utilizing clips to start roof panel runs. Replaces with improved Rake Starter Plates.
5. Adjusted appearance of eave trim to allow for nesting over new eave plates.
6. Better defined usage of Ver. 2 back-up plate vs. Ver. 1 back-up plate.
7. Corrected gable step-in eave details to properly tie into wall condition. Now includes proper slip connection to wall tie-in.
8. Revised valley plate detail.
9. Revised fiberglass insulation vs. stand-off conditions.

Note: Updates listed in this document are a general reference to the major changes to the document. Any minor updates and corrections to the document are not listed above. Licensee should review the entire document for compatibility with their current Architectural Guide.

INDEX

GENERAL DETAILS

Details Index 1

General 2

Detail Locator 3

Roof Panel Sections - RollLok Seam..... 4

Roof Panel Sections - TripleLok Seam 5

Roof Panel Section - QuadLok Seam 6

Eave Section — Eave Trim 7

Eave Section - Southern Style Eave Gutter..... 8

Eave Section - Northern Style Eave Gutter 9

Roof Panel Endlap Section 10

Ridge Section..... 11

High Eave Section - High Eave Trim..... 12

High Eave Section - Transition Flashing 13

Starting Rake Section - Rake Trim..... 14

Finish Rake Section - Rake Trim 15

Finish Rake Section - Alternate On-Module Rake Trim 16

Rake Section - Transition Flashing 17

Rake Section - Alternate On-Module Transition Flasing 18

Hip Section 19

Valley Section 20

Valley Gutter Suction 21

Interior Eave Gutter Section..... 22

Roof Sections - Fiberglass Insulation 23

Roof Sections - Fiberglass Insulation With Thermal Spacers..... 24

Roof Sections - Rigid Foam Insulation..... 25

GENERAL

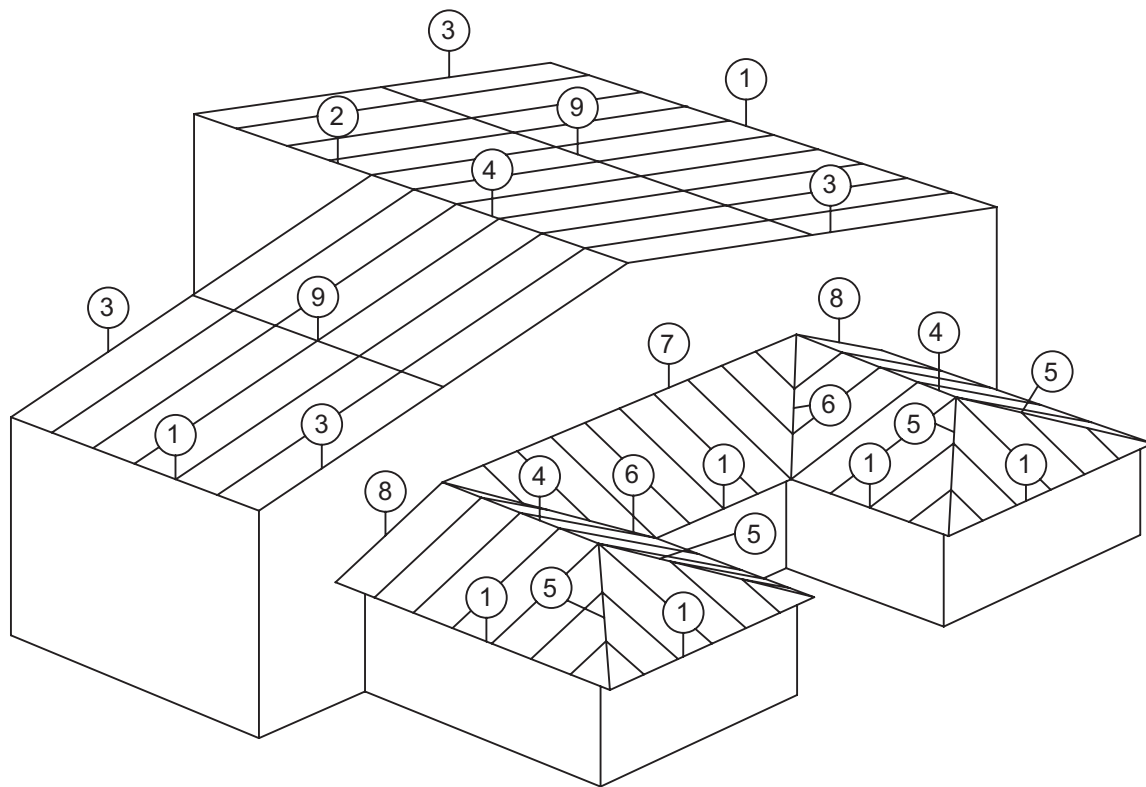
The following Architectural Details provide a graphic description of the “*Company Name*” TS-324 Standing Seam Roof System and its standard applications. Use these details to determine the applications required for your specific project.

These standard application details are based on typical and proven designs utilizing gasket type sealed assemblies to provide a more positive weather resistance over a broad range of conditions, including low pitched roofs. It is the project designer’s responsibility to assure that the specified application is appropriate for the roof’s intended use.

These details show generic secondary framing members, roof insulation and adjacent construction for simplicity of presentation. These details may be modified to accommodate clarification of structural members, roof insulation, trim profile, tie-in to adjacent construction etc.

The basic function of the details, such as roof panel assembly and fit-up to closures and flashing, sealing and attachments etc. cannot be modified. All applications, not in accordance to these details, require approval by the “*Company Name*”.

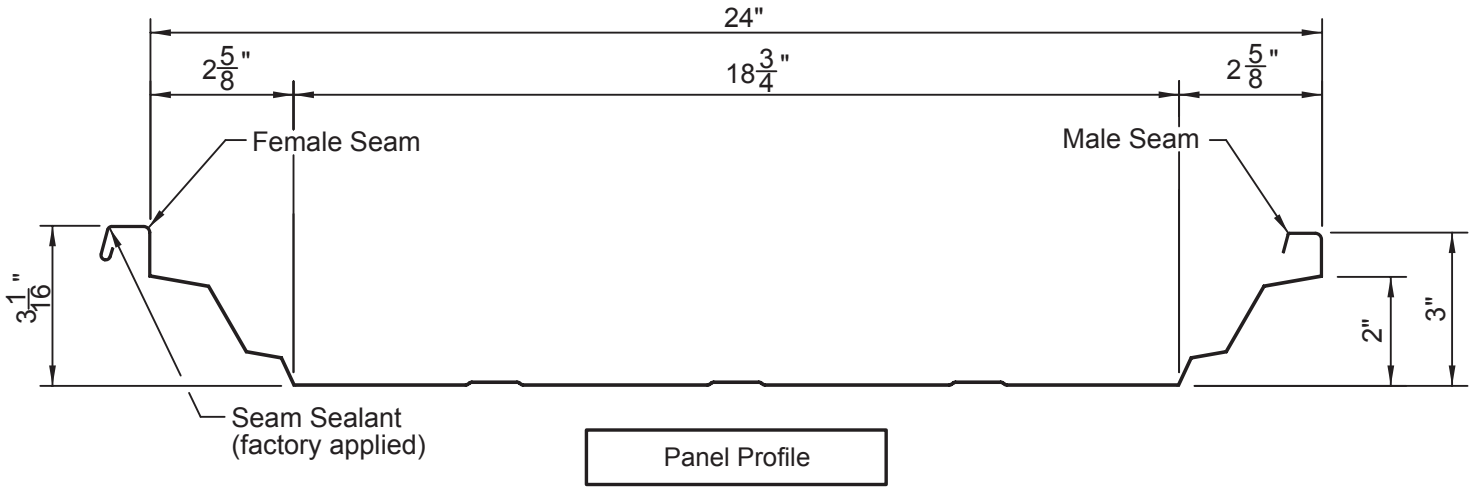
In case of conflict between these Architectural details and the project’s erection drawings, the erection drawings will take precedence.



DETAIL LEGEND

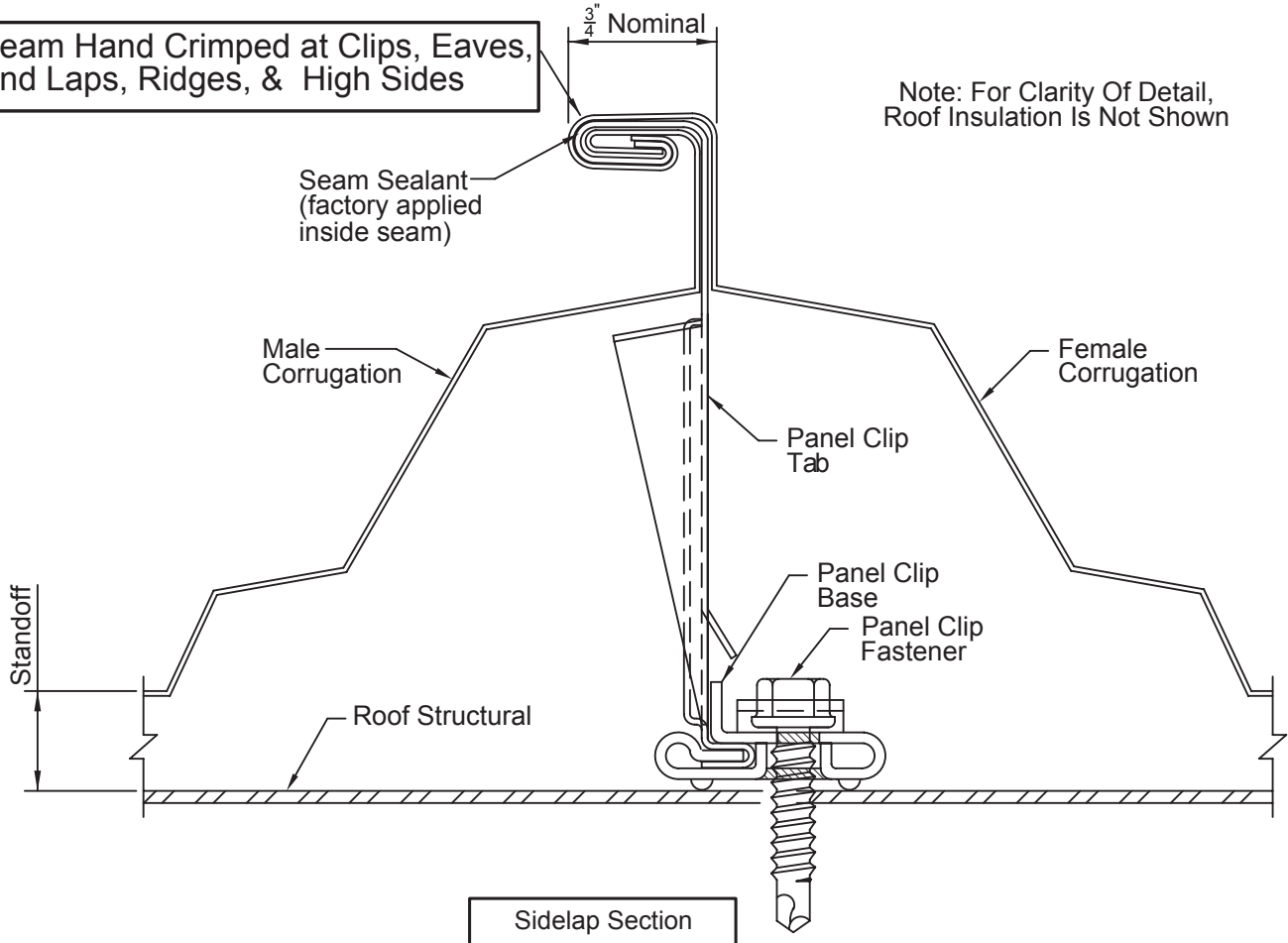
- ①.....EAVE
- ②.....HIGH EAVE
- ③.....RAKE
- ④.....RIDGE
- ⑤.....HIP
- ⑥.....VALLEY
- ⑦.....HIGH EAVE TRANSITION
- ⑧.....RAKE TRANSITION
- ⑨.....ROOF PANEL ENDLAP

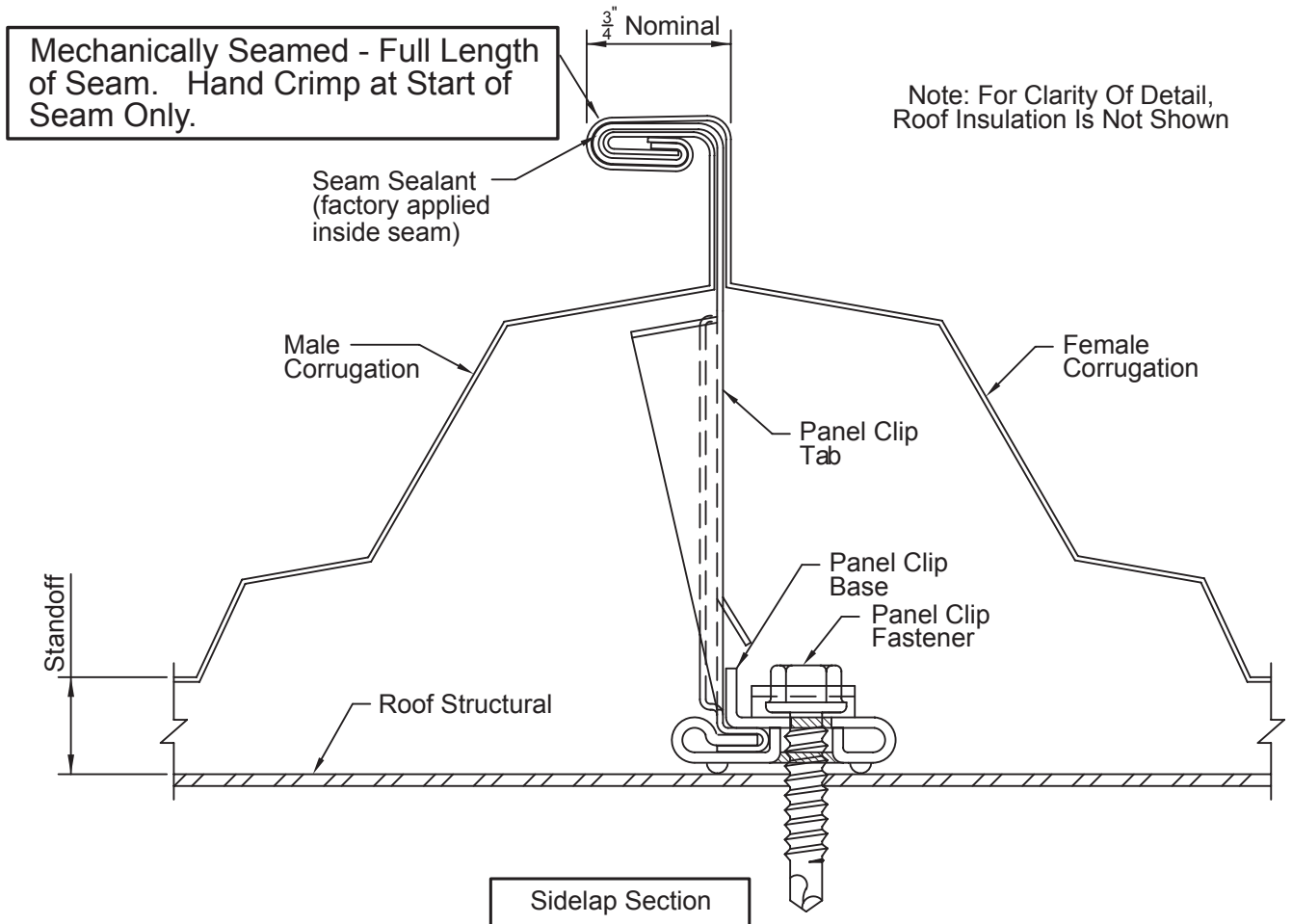
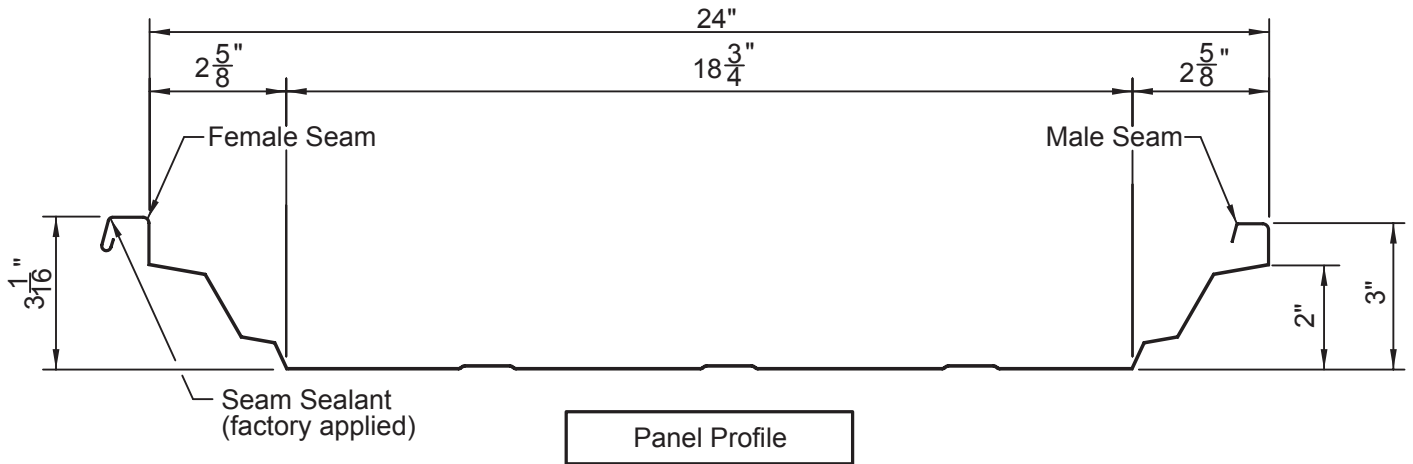
TS-324™ Roof Systems Architectural Details

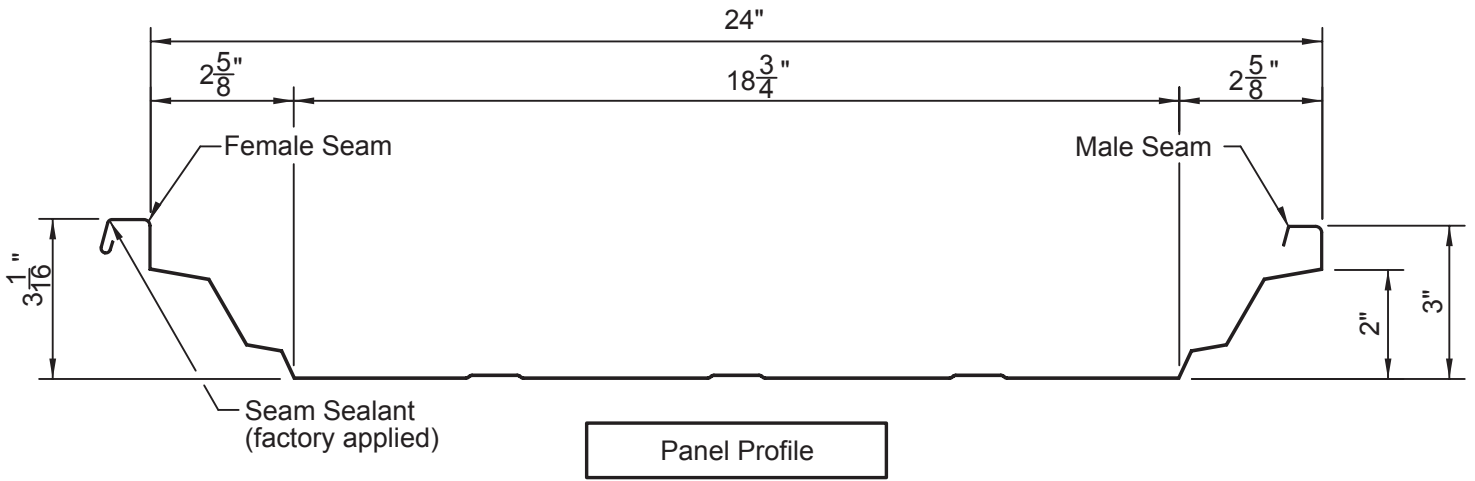


Seam Hand Crimped at Clips, Eaves, End Laps, Ridges, & High Sides

Note: For Clarity Of Detail, Roof Insulation Is Not Shown

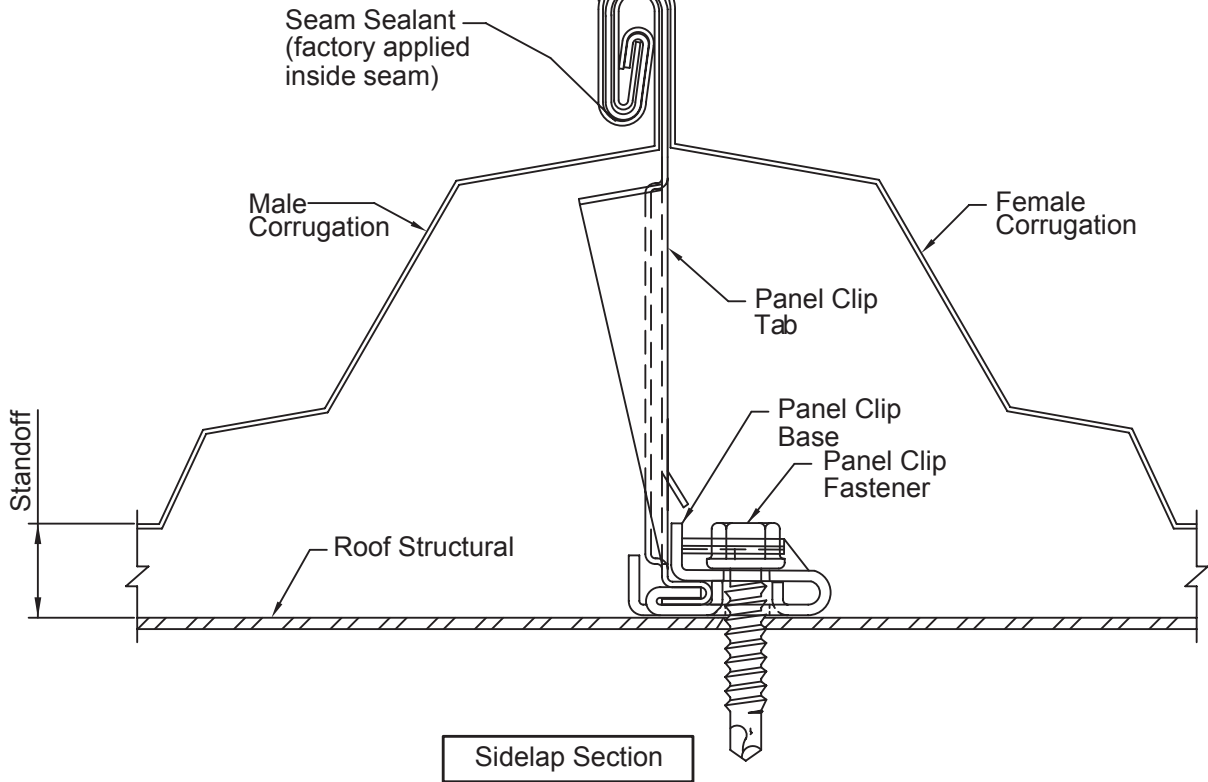






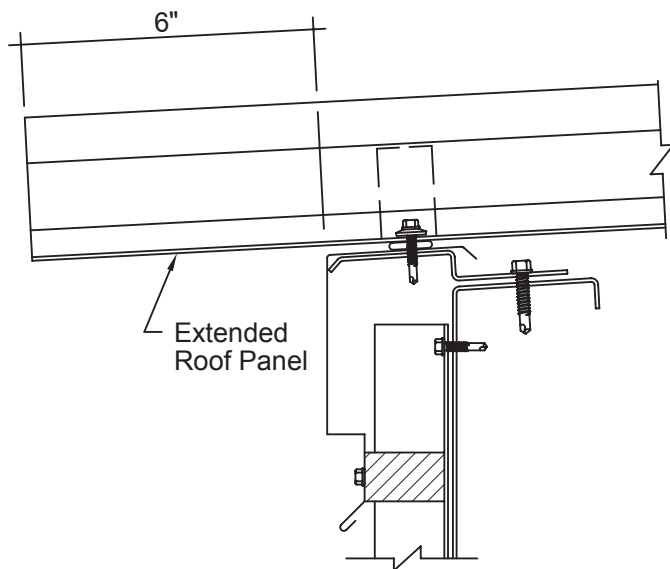
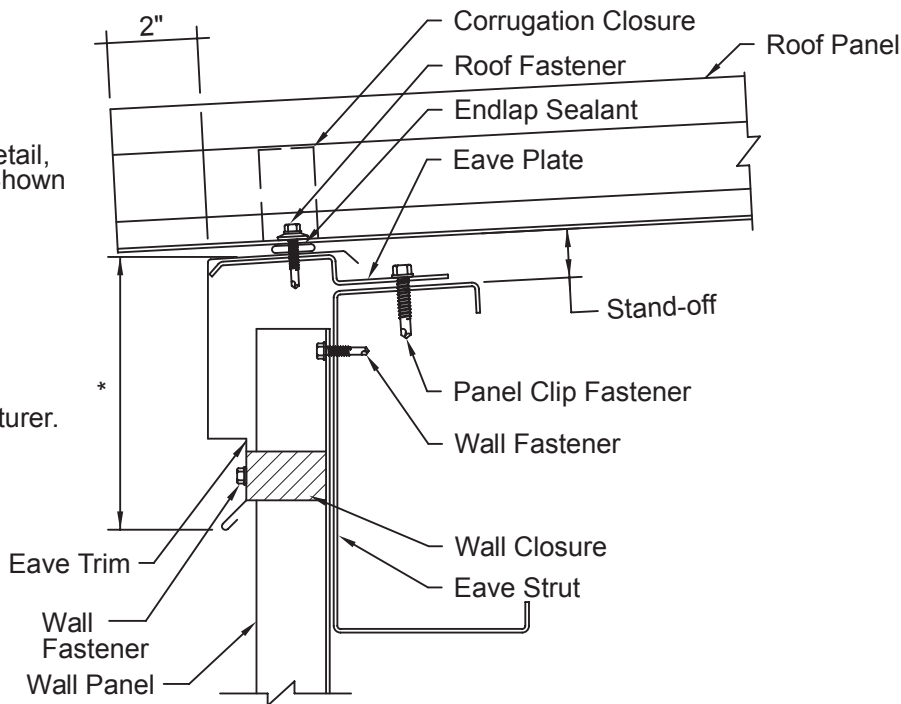
Mechanically Seamed - Full Length of Seam. Hand Crimp at Start of Seam Only.

Note: For Clarity Of Detail, Roof Insulation Is Not Shown

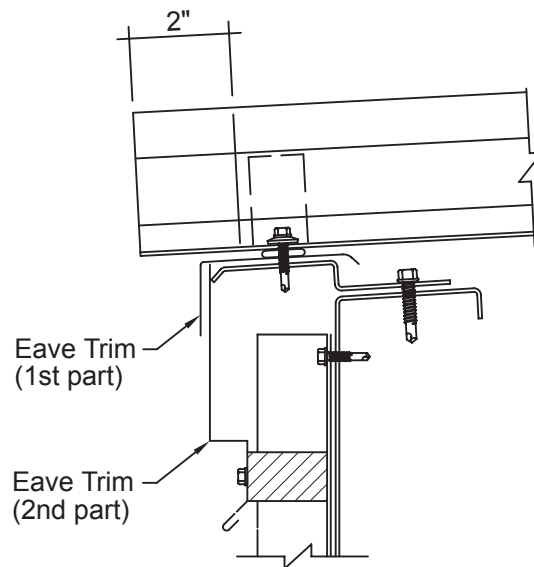


Note: For Clarity Of Detail,
Roof Insulation Is Not Shown

* Determined By Manufacturer.

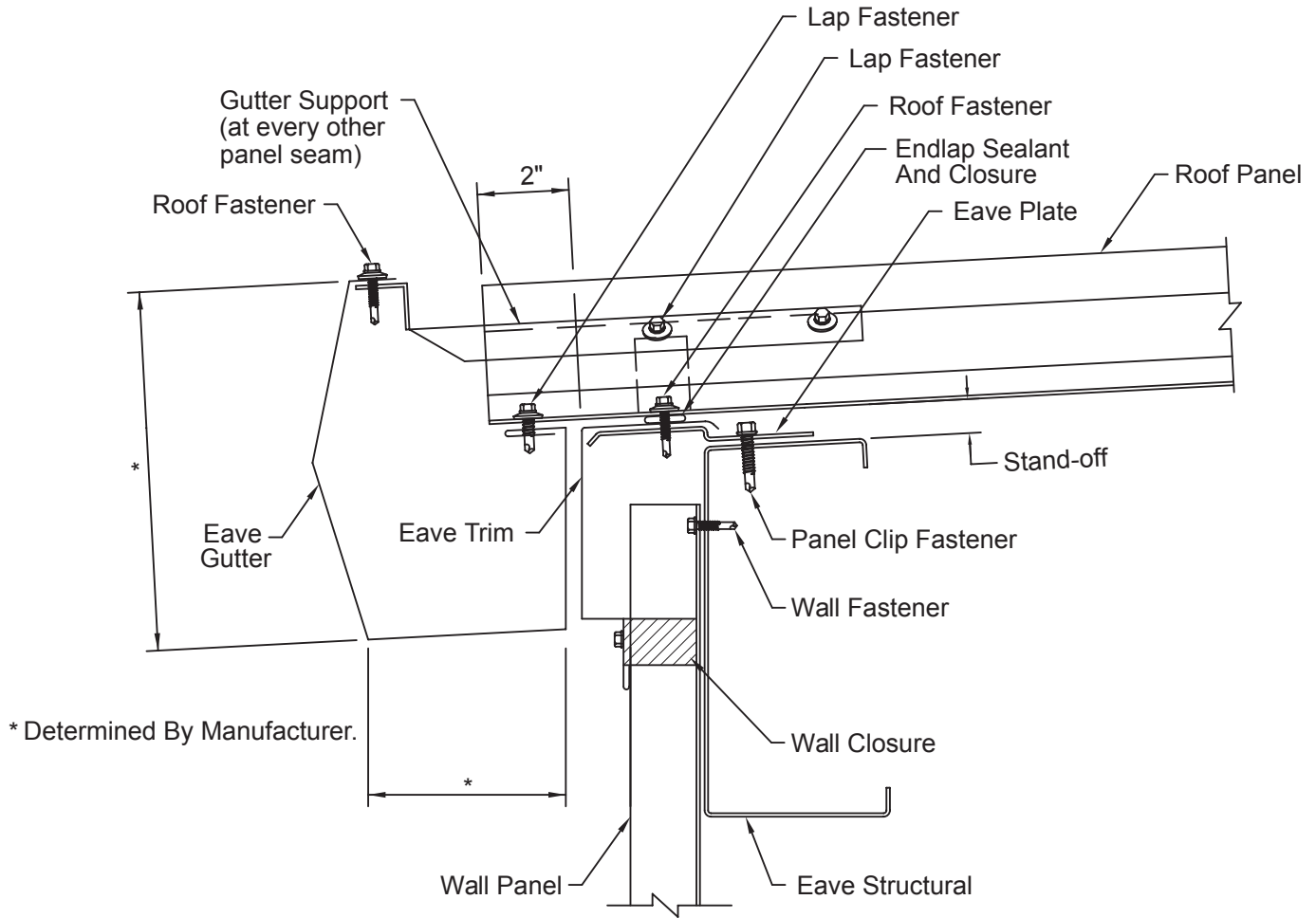


Extended Roof (For Heavy Snow And Ice Areas)



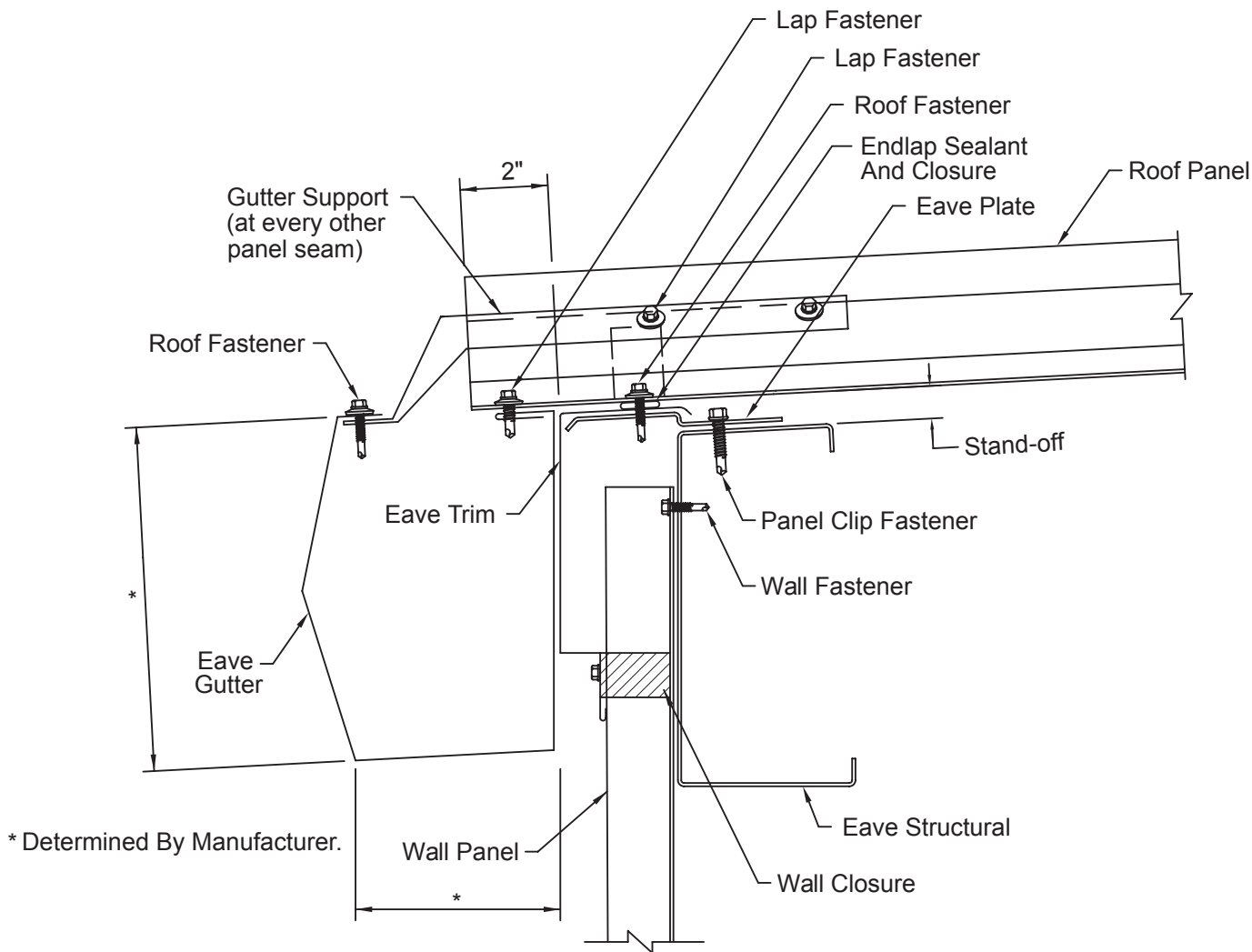
Alternate Two Part Eave Trim (To Allow Installation Of Wall Panel After Roof Is In Place)

Note: For Clarity Of Detail,
Roof Insulation Is Not Shown



CAUTION
Southern Style Gutter Is Not Recommended
For Areas That Experience Snow,
Ice, Extreme Rainfall Or Damming Conditions

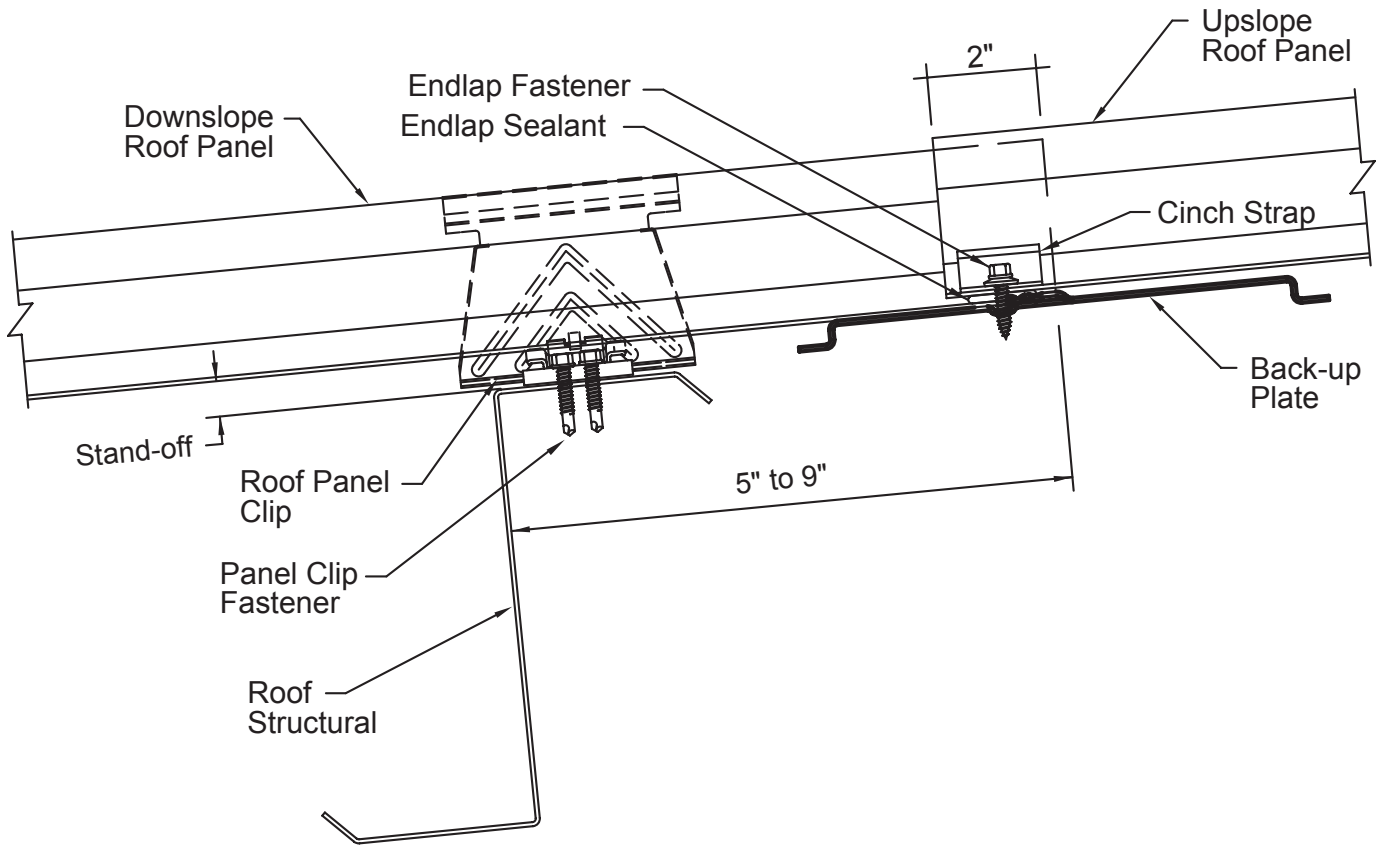
Note: For Clarity Of Detail,
Roof Insulation Is Not Shown



* Determined By Manufacturer.

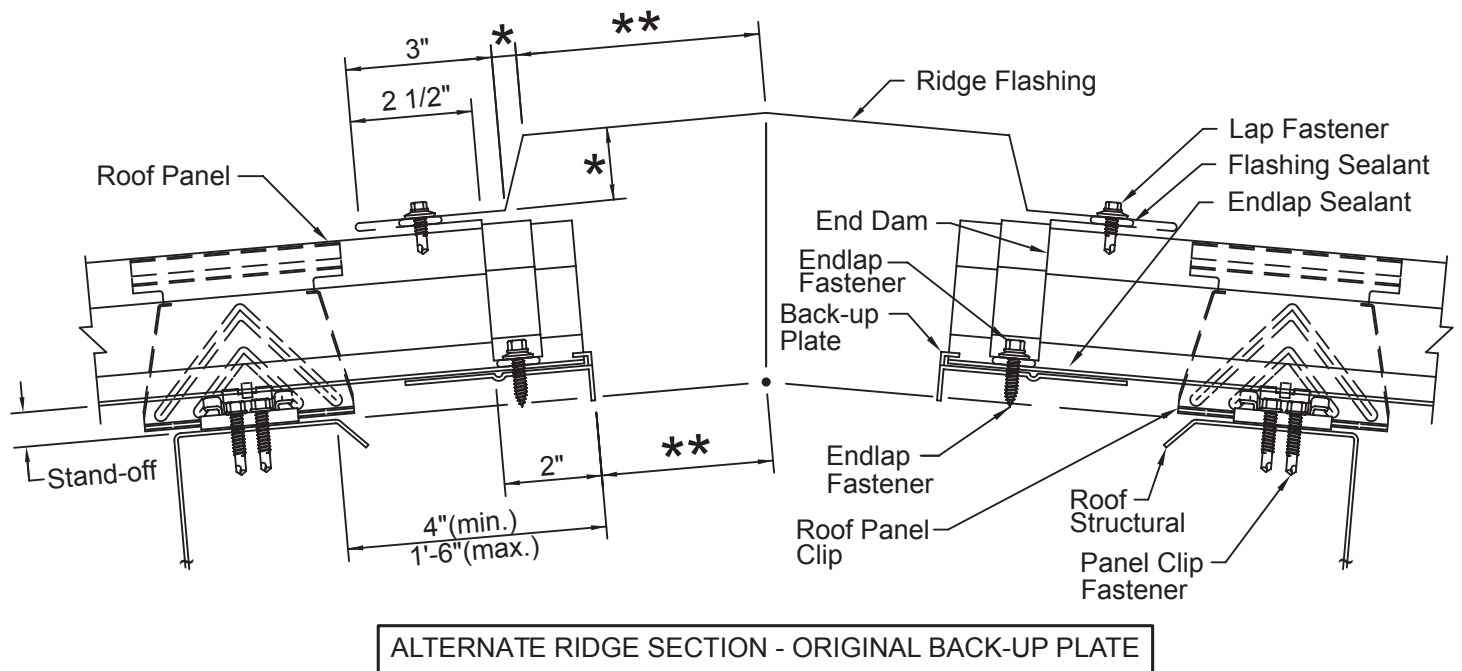
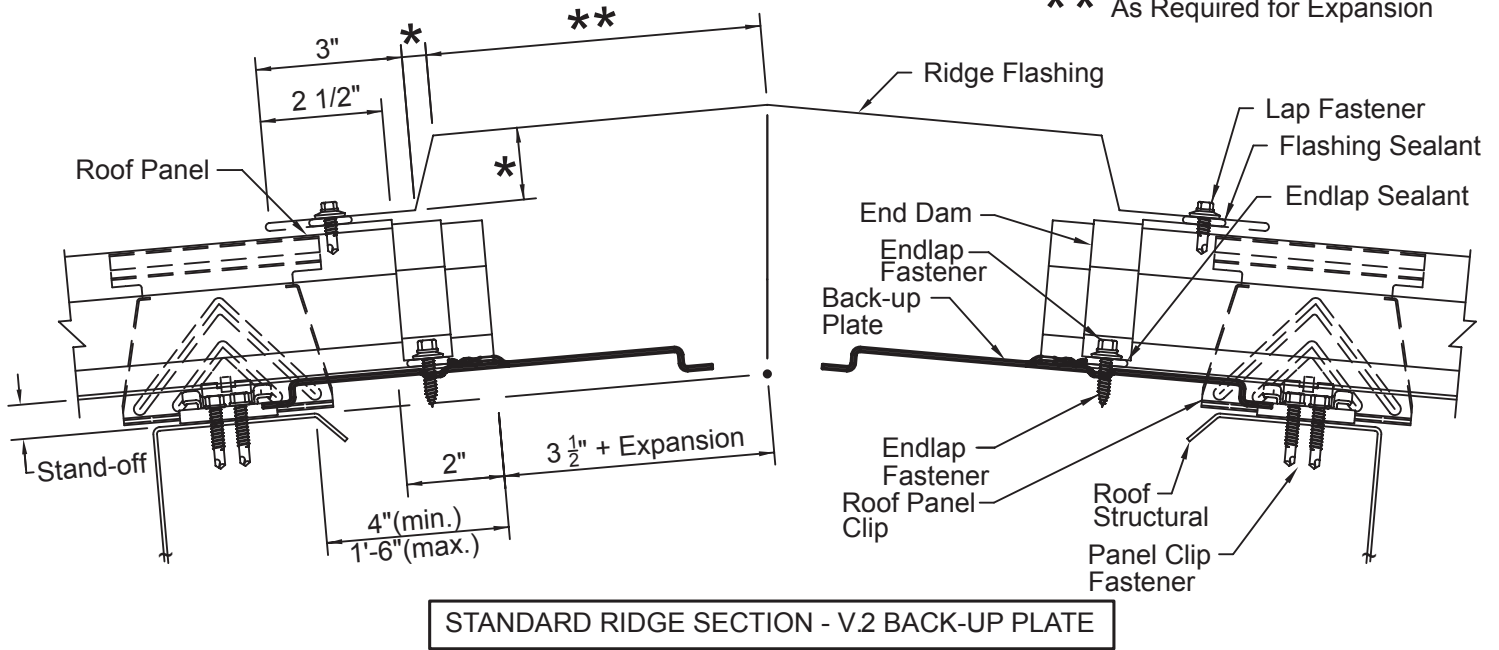
CAUTION
Northern Style Gutter May Not Be Suitable
For Areas That Experience Heavy Snow,
Ice, Extreme Rainfall Or Damming Conditions

Note: For Clarity Of Detail,
Roof Insulation Is Not Shown

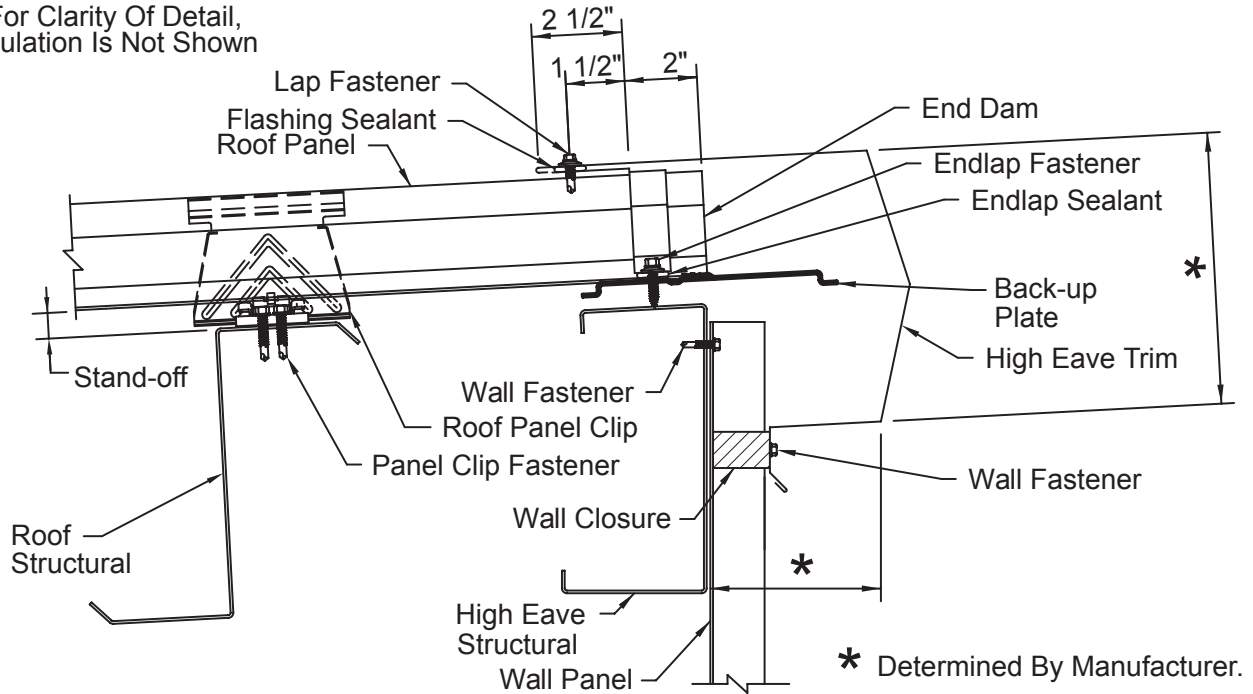


Note: For Clarity Of Detail,
Roof Insulation Is Not Shown

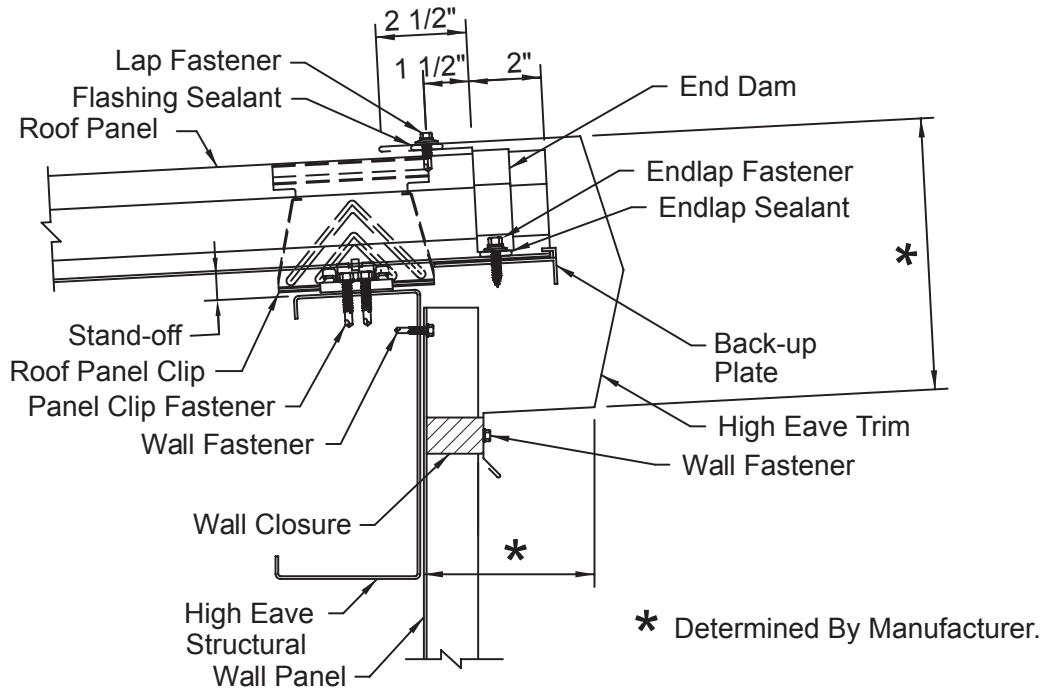
Determined By Manufacturer
** As Required for Expansion



Note: For Clarity Of Detail,
Roof Insulation Is Not Shown



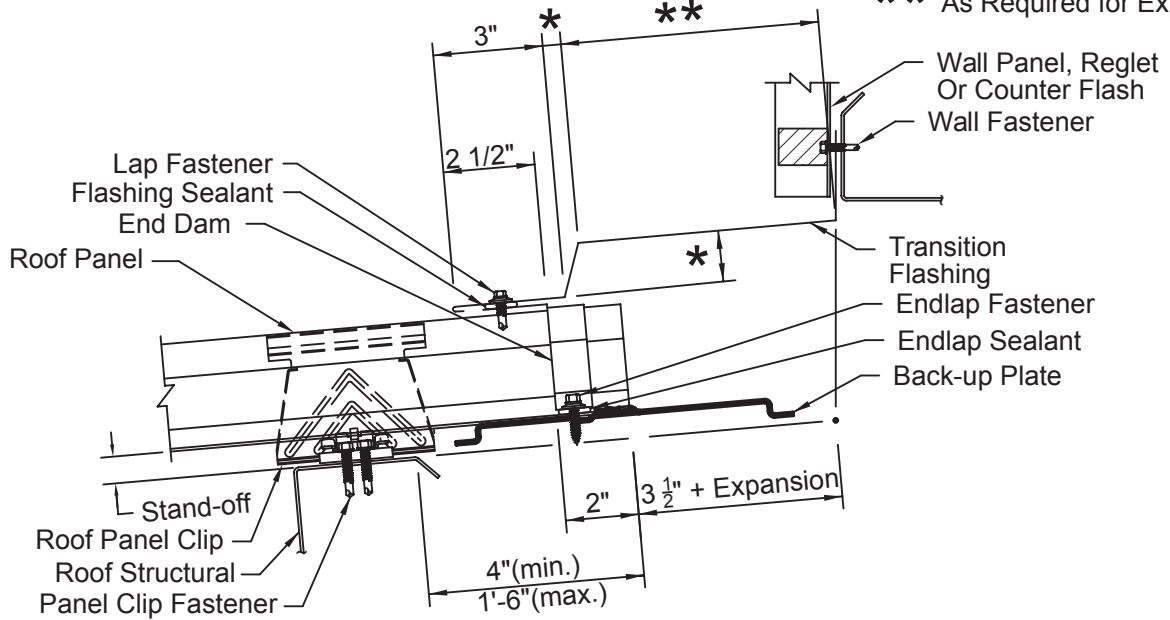
STANDARD HIGH EAVE SECTION - V.2 BACK-UP PLATE



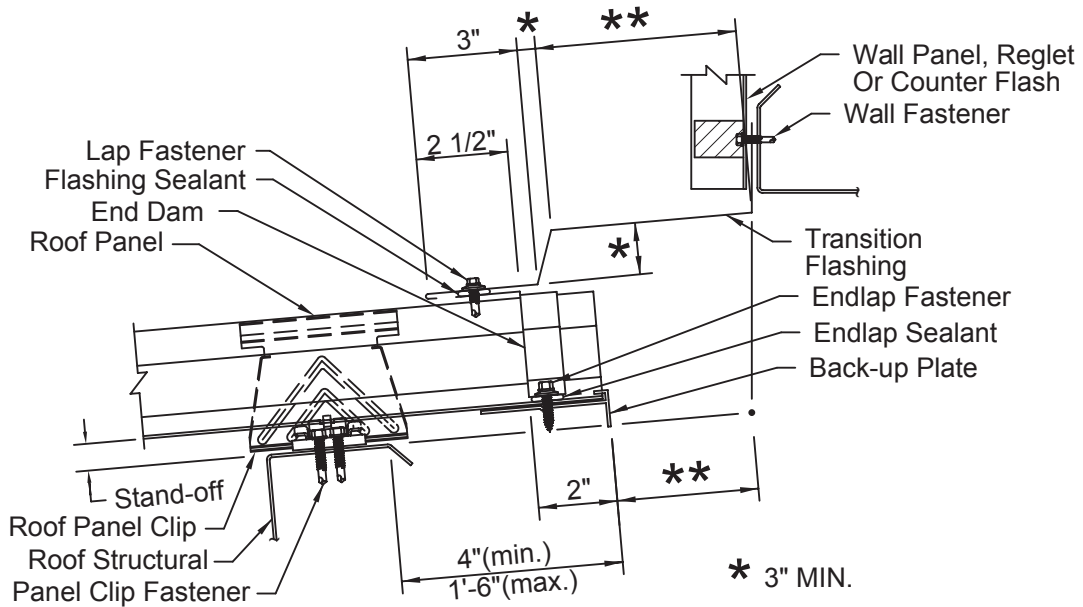
ALTERNATE HIGH EAVE SECTION - ORIGINAL BACK-UP PLATE

Note: For Clarity Of Detail,
Roof Insulation Is Not Shown

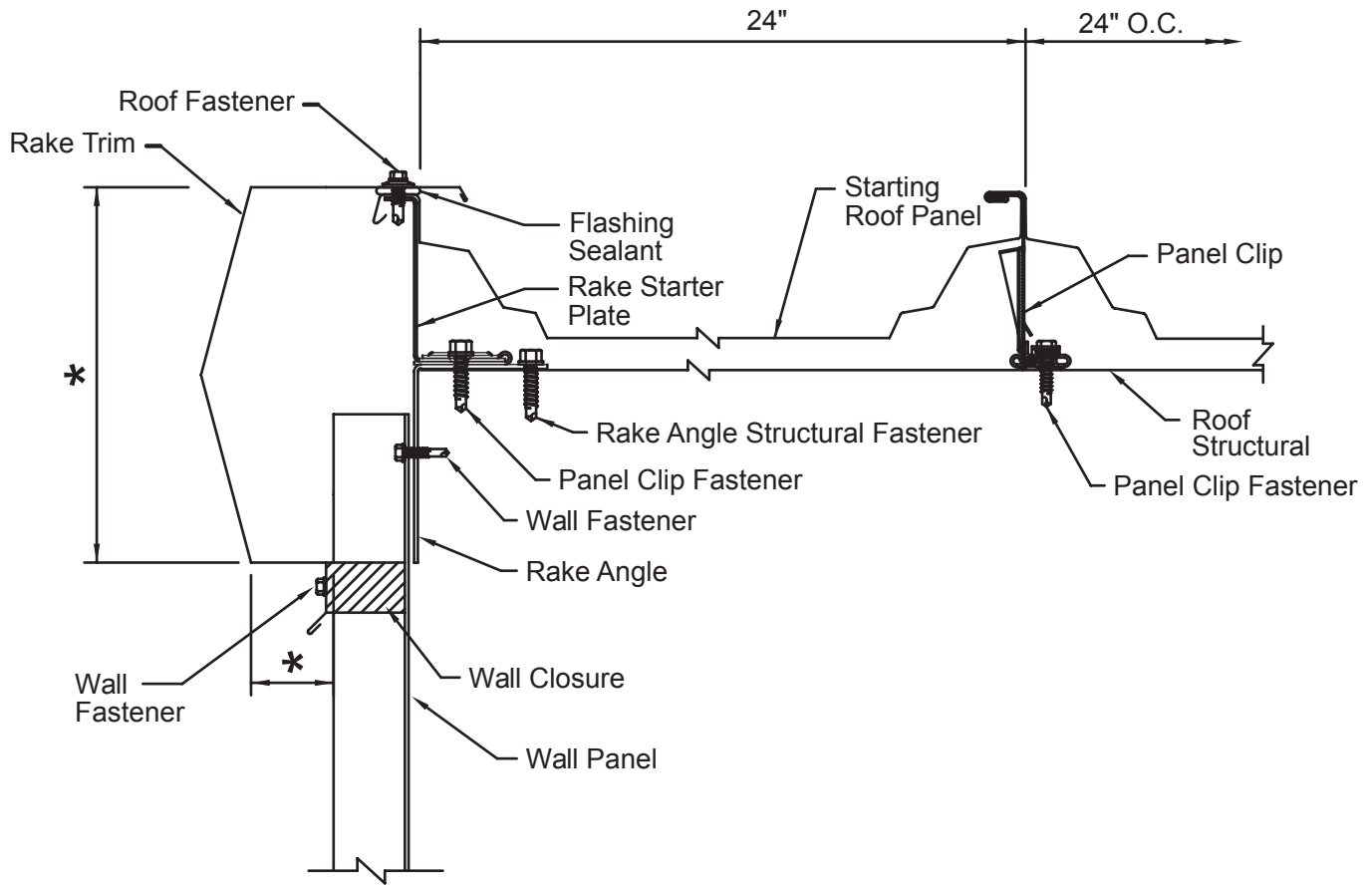
* Determined By Manufacturer
** As Required for Expansion



STANDARD HIGH EAVE TRANSITION - V.2 BACK-UP PLATE

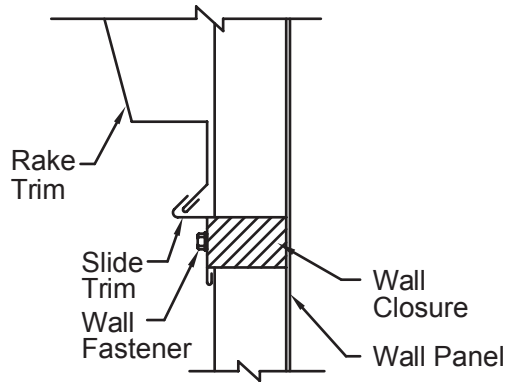


ALTERNATE HIGH EAVE TRANSITION - ORIGINAL BACK-UP PLATE

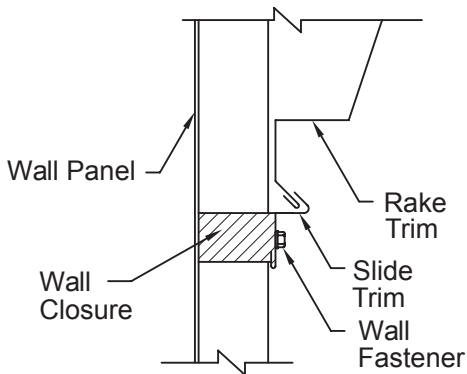
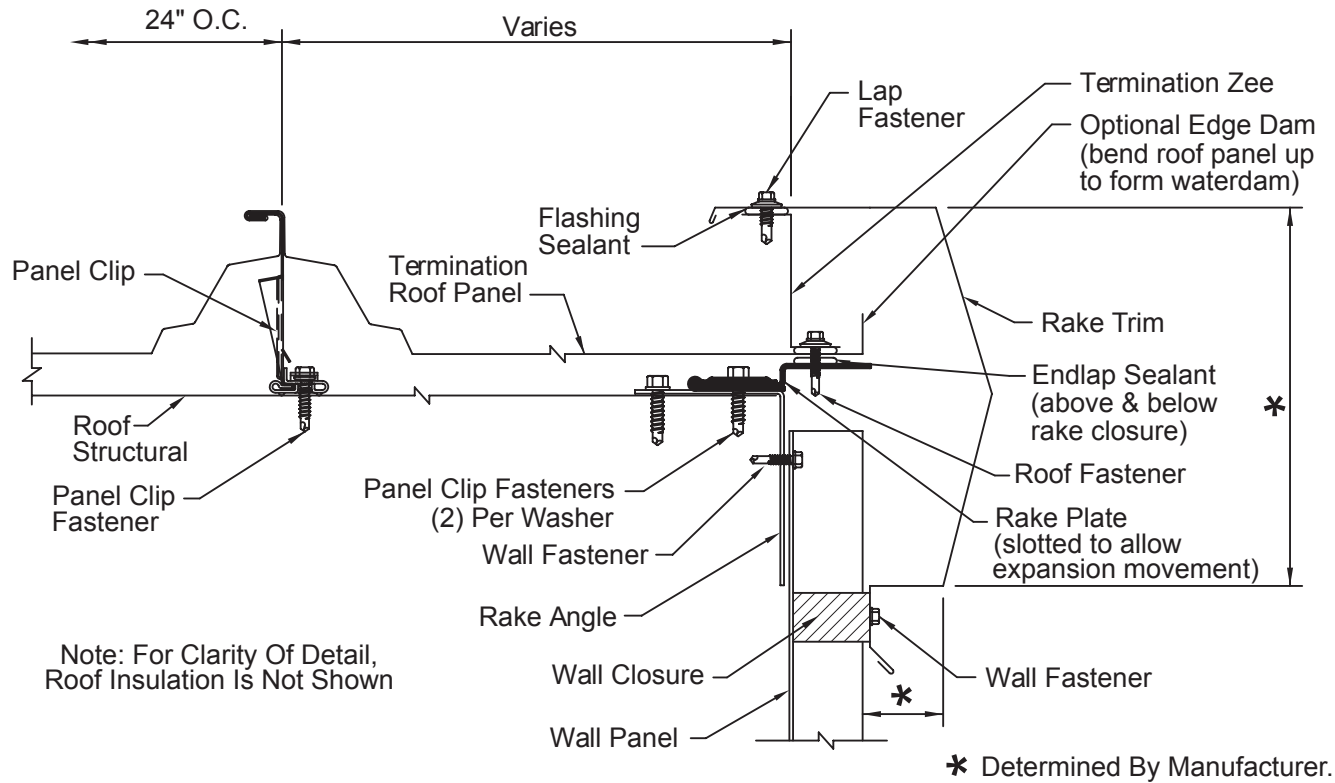


* Determined By Manufacturer.

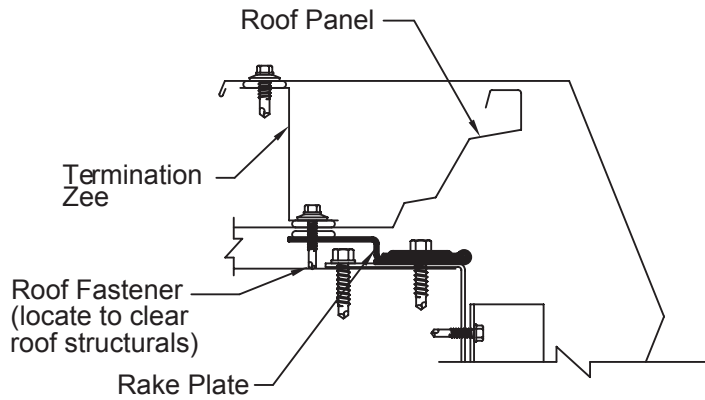
Note: For Clarity Of Detail,
Roof Insulation Is Not Shown



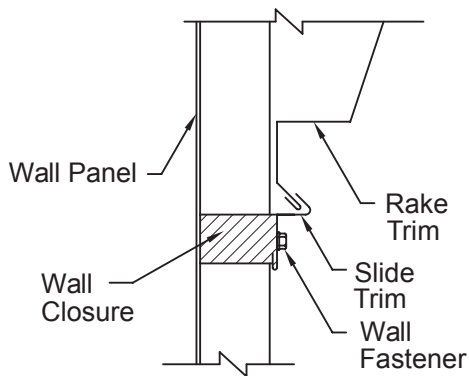
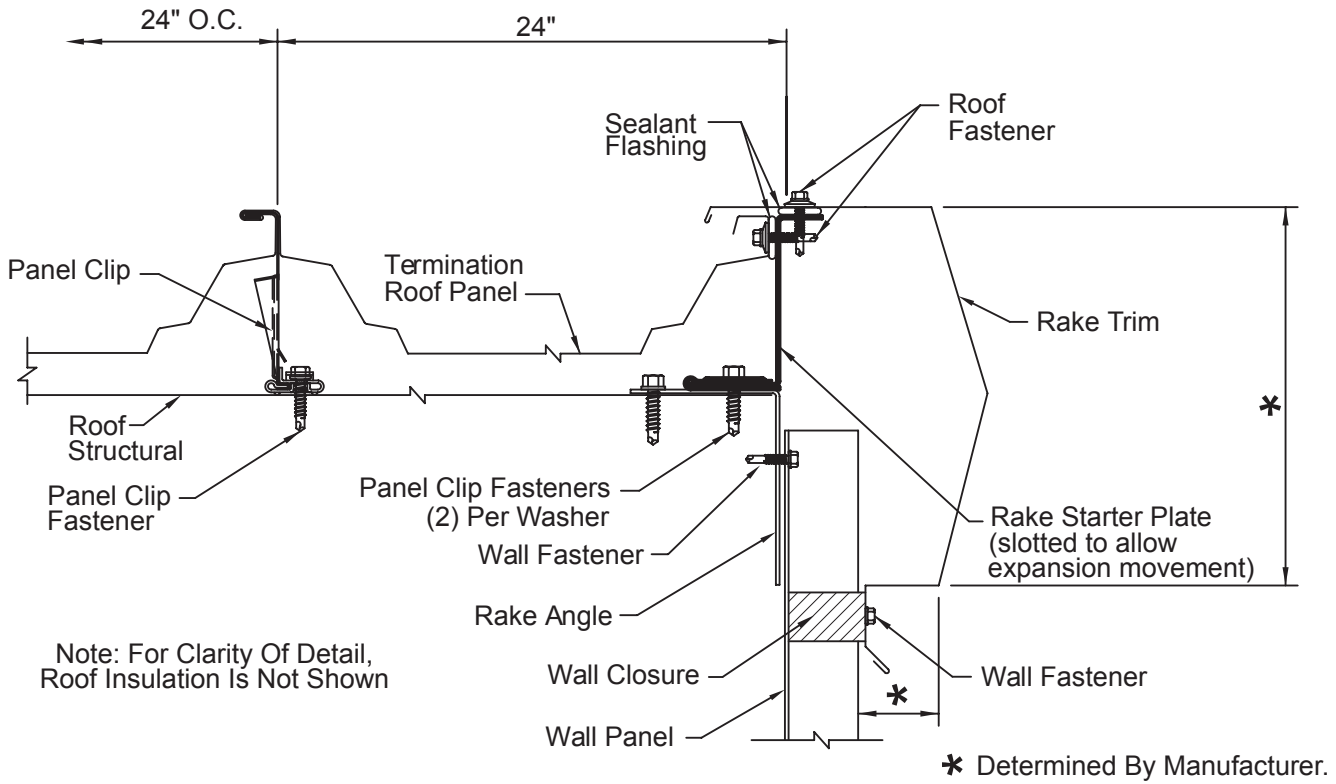
Alternate
Sliding Rake
Trim (Allows Expansion Movement Of Rake
Trim, Required When Roof Run Exceeds 25')



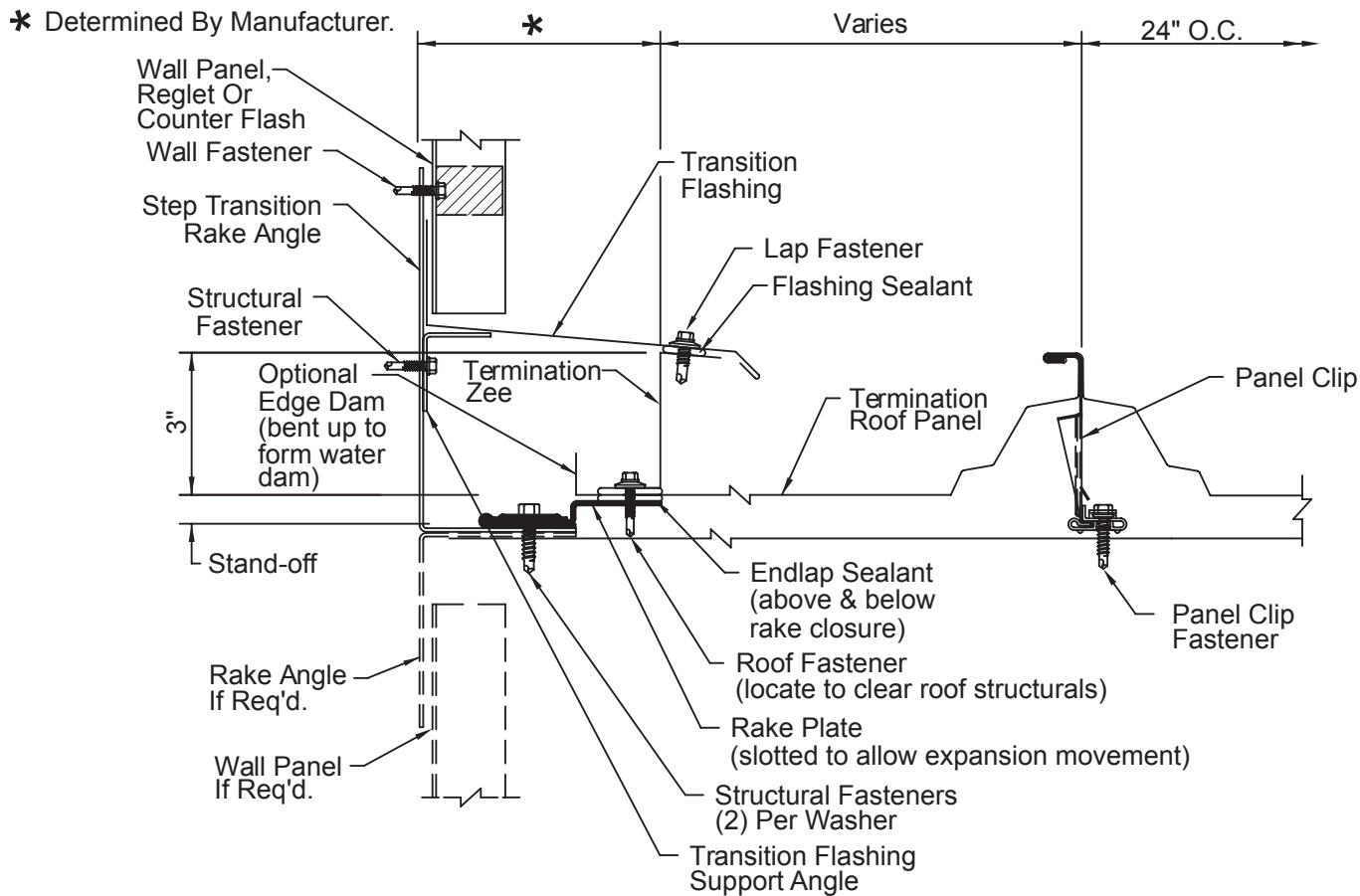
Alternate Sliding Rake Trim (Allows Expansion Movement Of Rake Trim Required When Roof Run Exceeds 25')



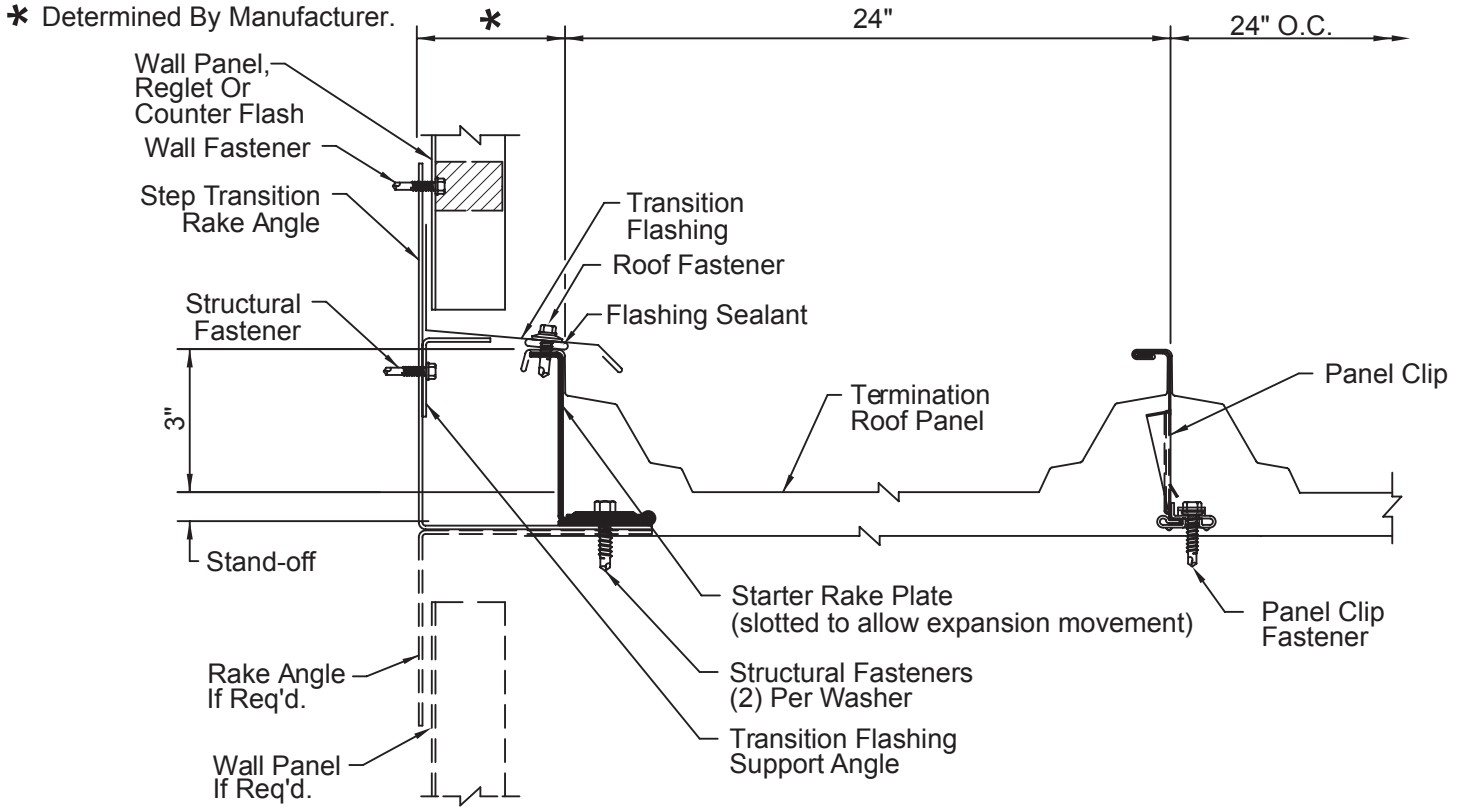
Alternate Rake Plate Orientation



Alternate Sliding Rake Trim (Allows Expansion Movement Of Rake Trim Required When Roof Run Exceeds 25')

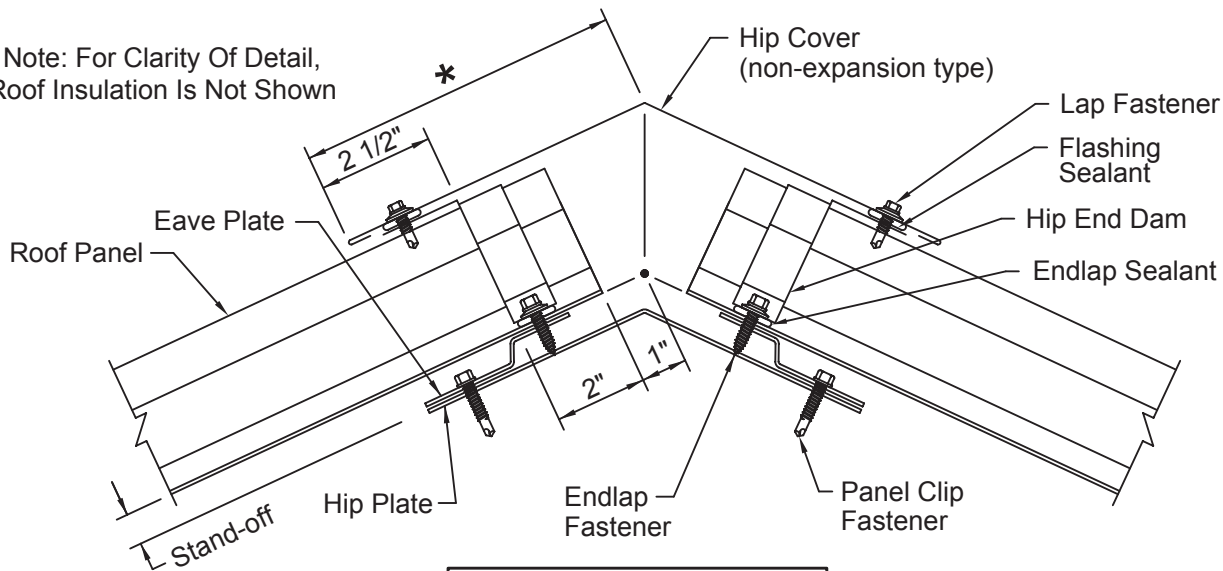


- Notes: 1. Detail Shown At Starting Rake, Detail At Finish Rake Is Similar.
 2. For Clarity Of Detail, Roof Insulation Is Not Shown.



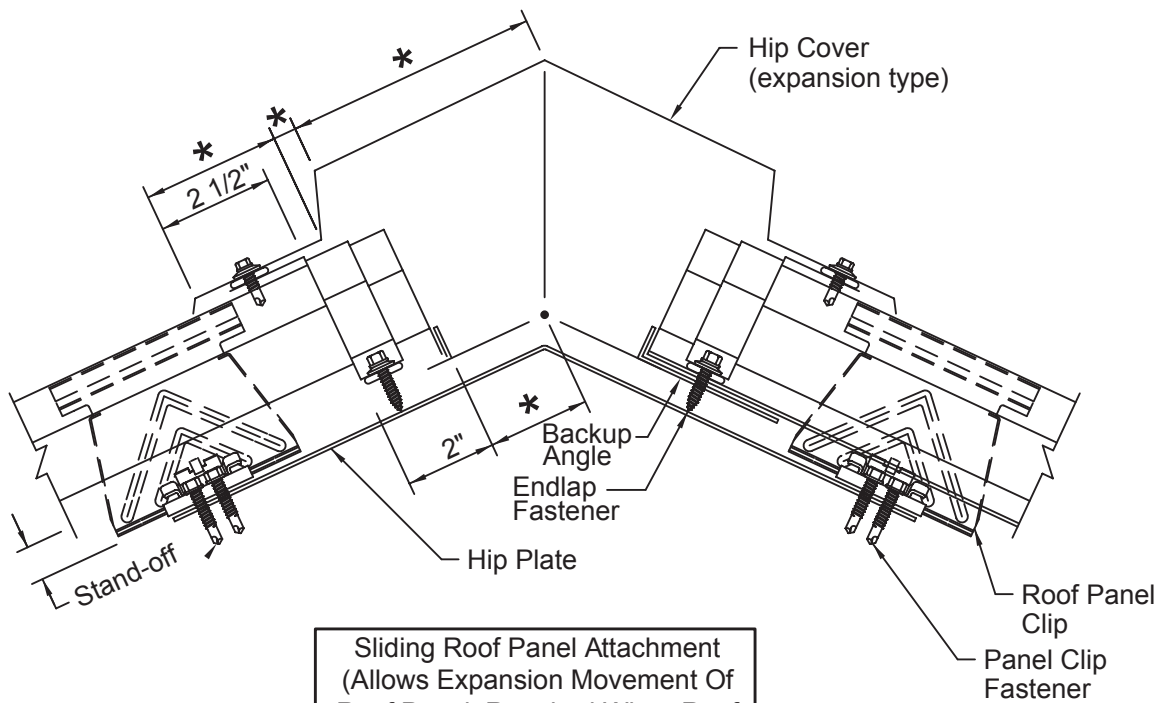
- Notes: 1. Detail Shown At Starting Rake, Detail At Finish Rake Is Similar.
 2. For Clarity Of Detail, Roof Insulation Is Not Shown.

Note: For Clarity Of Detail,
Roof Insulation Is Not Shown



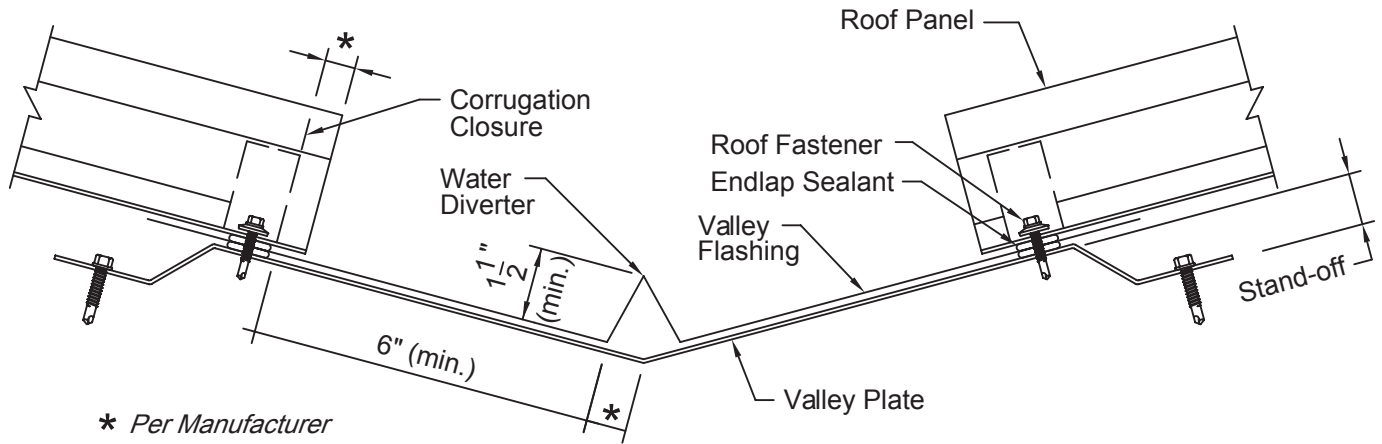
Fixed Roof Panel Attachment
(Typical For Roof Panel Runs
Less Than 25 Feet)

* *Varies With Roof Pitch*

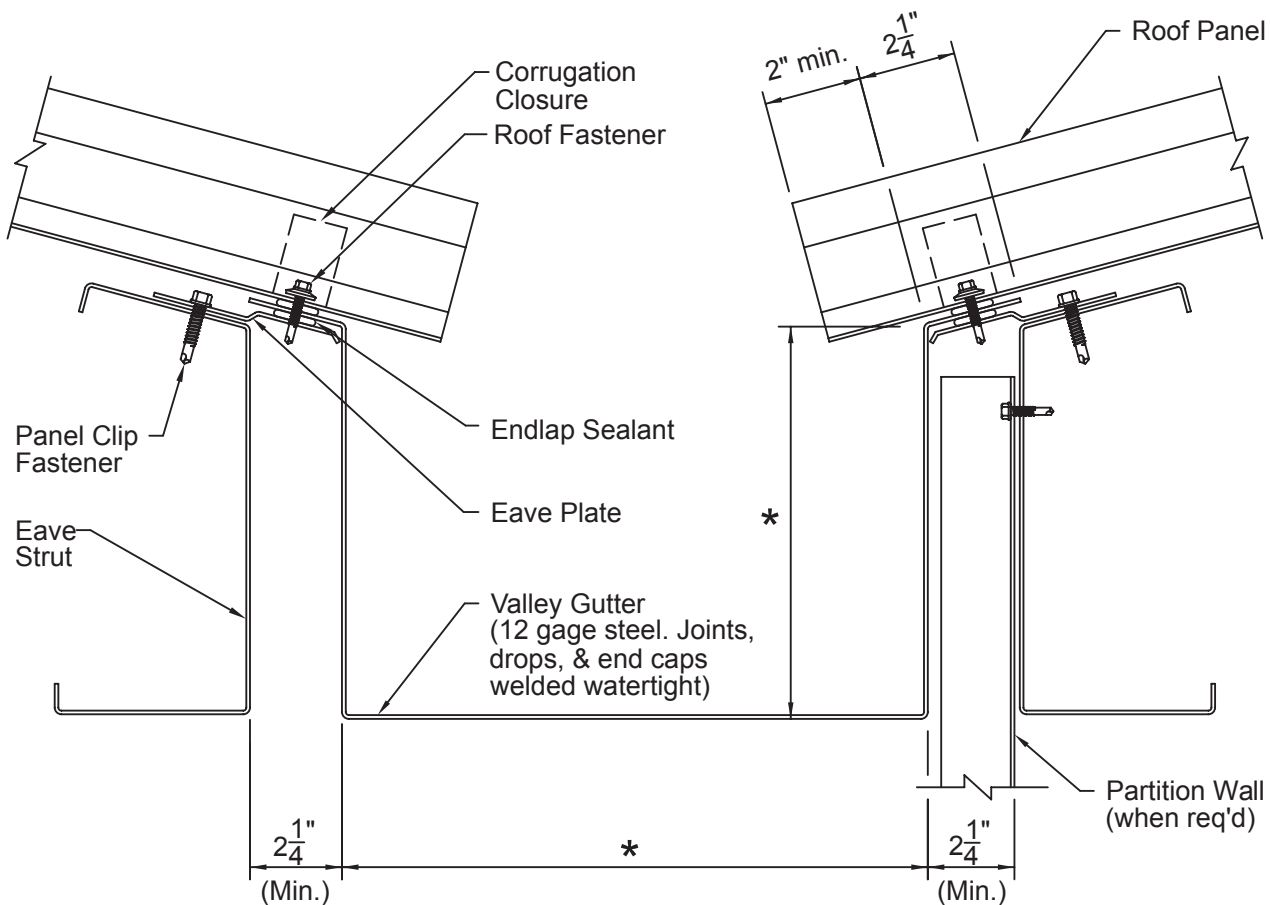


Sliding Roof Panel Attachment
(Allows Expansion Movement Of
Roof Panel, Required When Roof
Panel Run Exceeds 25 Feet)

Note: For Clarity Of Detail,
Roof Insulation Is Not Shown



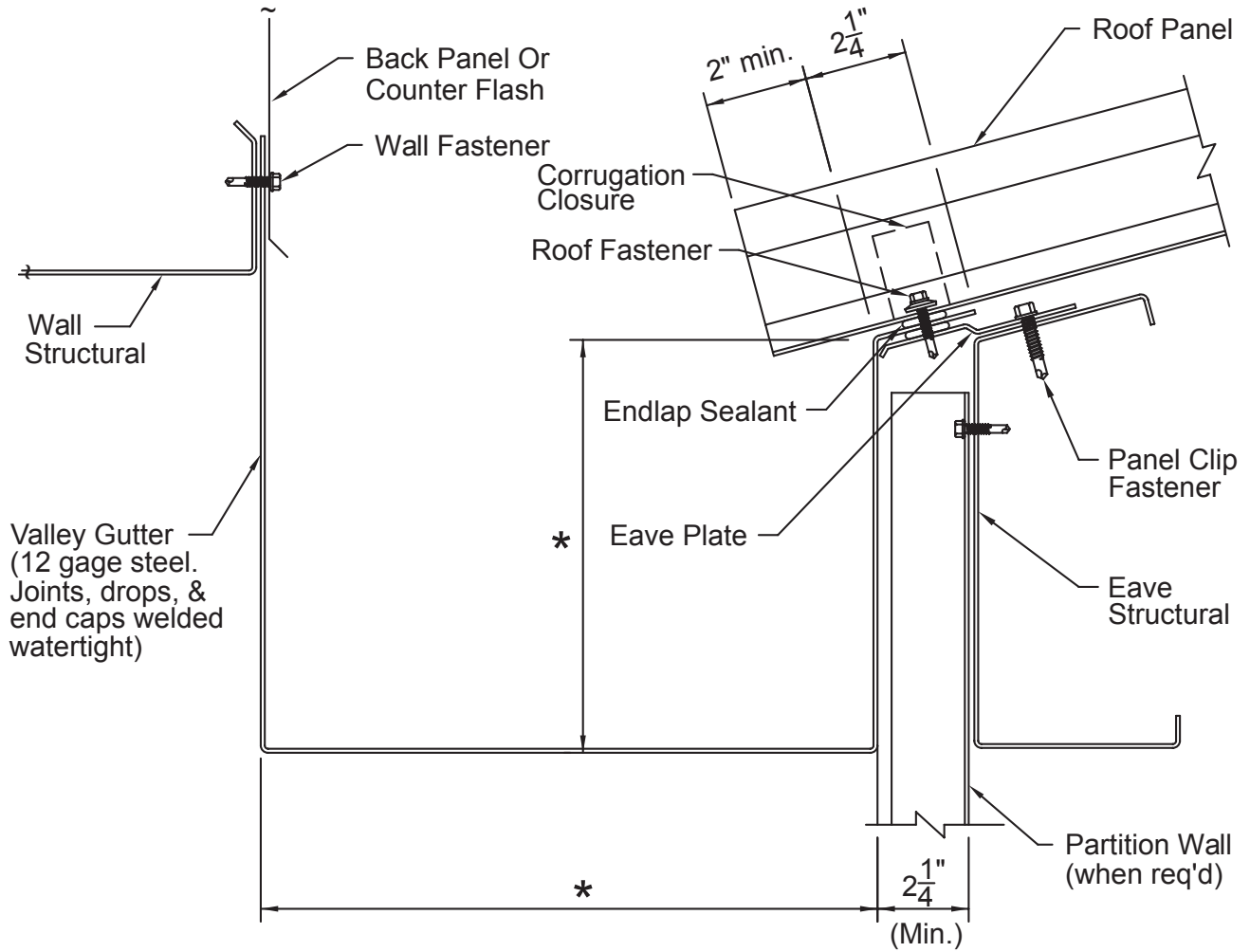
Note: For Clarity Of Detail,
Roof Insulation Is Not Shown



* As Determined By Manufacturer

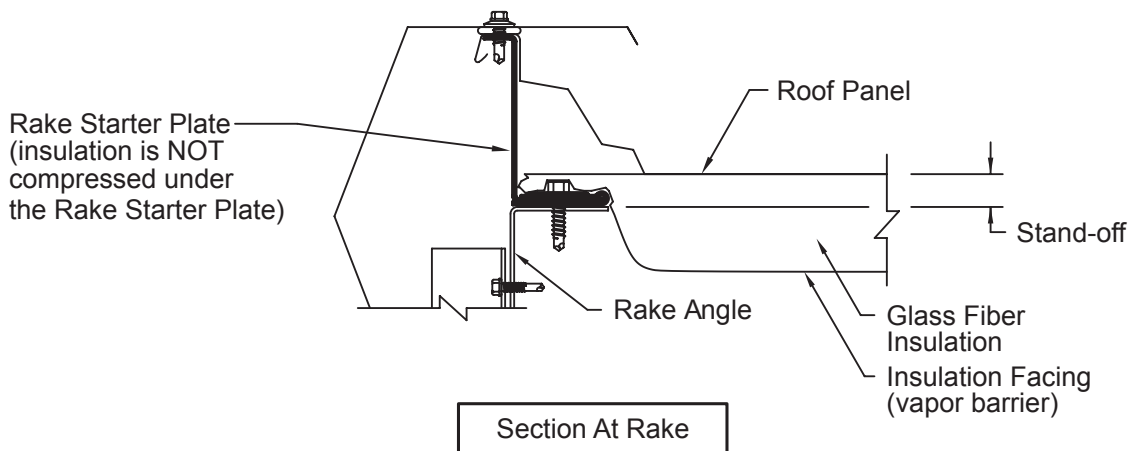
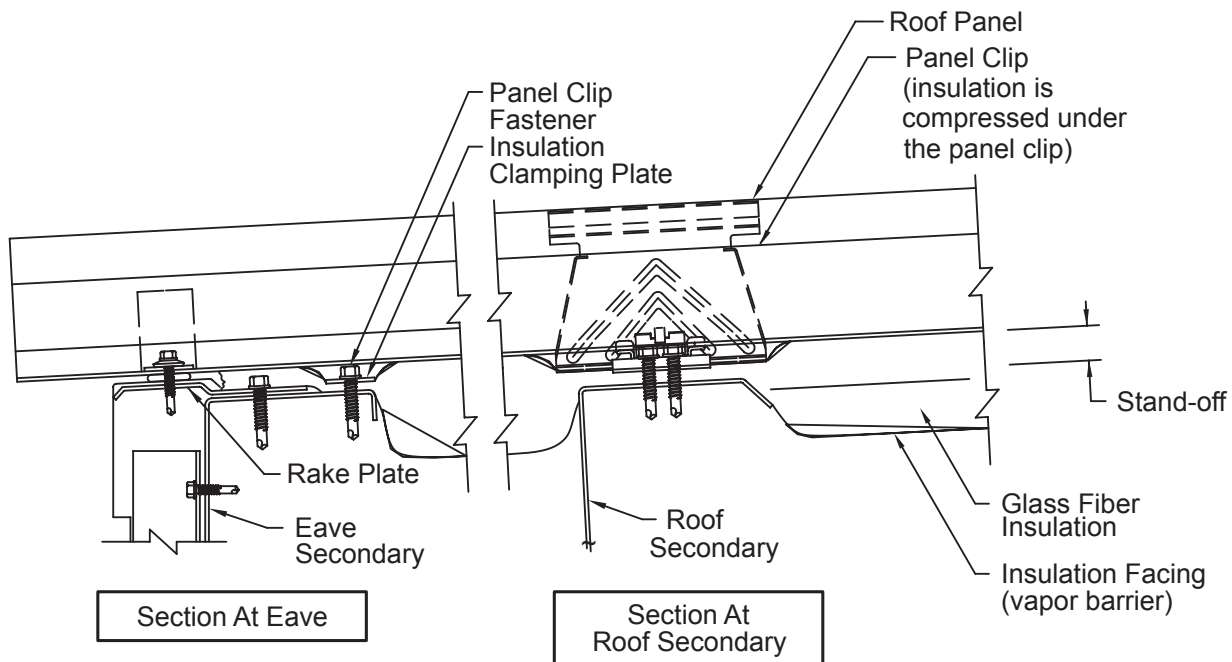
CAUTION
Interior Gutter Must Be
Provided With Protection From
Corrosion, Icing, Damming &
Interior Condensation

Note: For Clarity Of Detail,
Roof Insulation Is Not Shown



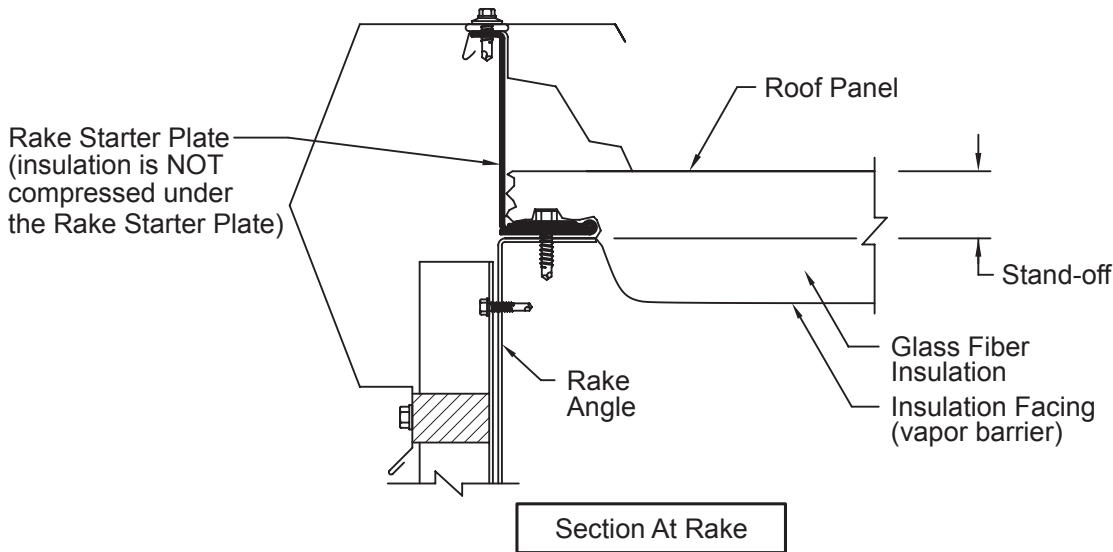
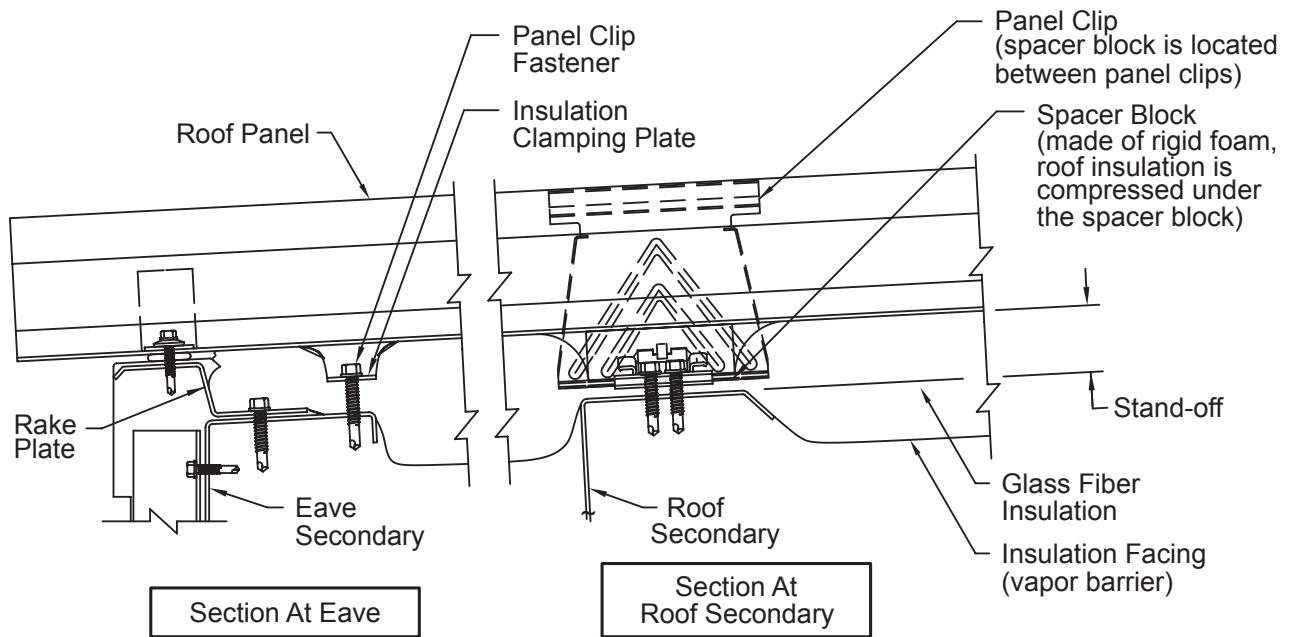
* As Determined By Manufacturer

CAUTION
Interior Gutter Must Be Provided With Protection From Corrosion, Icing, Damming & Interior Condensation



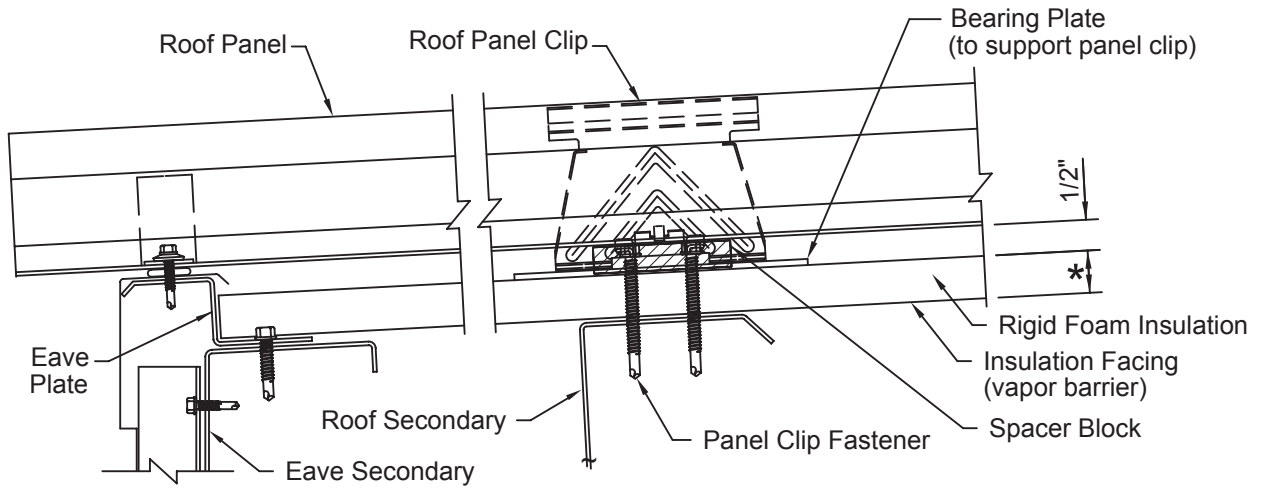
Insulation Note

1/2" Standoff Is Recommended For Up To 4" Thick Insulation.
 1 1/2" Standoff Is Recommended For 4" To 6" Thick Insulation.
 2" Standoff Is Recommended For 6" To 8" Thick Insulation.
 2 1/2" Standoff Is Recommended For 8" To 10" Thick Insulation.
 3" Standoff Is Recommended For 10" to 12" Insulation.



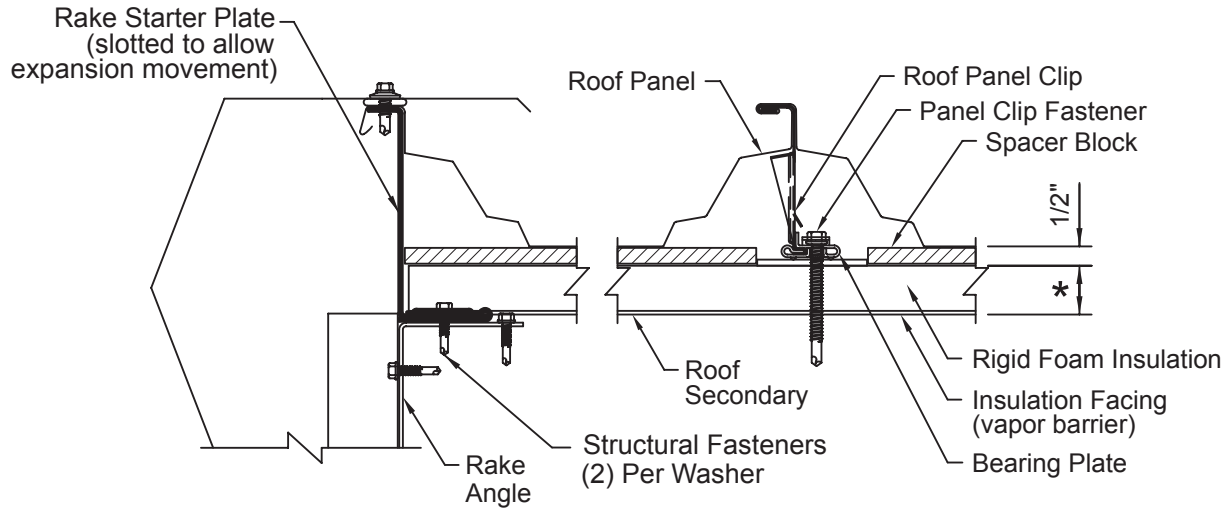
Insulation Note

1/2" Standoff Is Recommended For Up To 4" Thick Insulation.
 1 1/2" Standoff Is Recommended For 4" To 6" Thick Insulation.
 2" Standoff Is Recommended For 6" To 8" Thick Insulation.
 2 1/2" Standoff Is Recommended For 8" To 10" Thick Insulation.
 3" Standoff Is Recommended For 10" to 12" Insulation.



Section At Eave

Section At Roof Secondary



Section At Rake

* Notes
 Rigid Foam Insulation Thickness Varies
 Rigid Insulation Will Require Custom Eave, Rake Starter Plates, And Rake Plates