

PanelCraft Architectural Details – December 2021 Update – Release Notes

1. Added new Rake Starter Plates to any gable details.
2. Added optional details at any gables to utilize Rake Plates in lieu of Rake Starter Plates.
3. Added northern style gutter detail.
4. Removed all references utilizing clips to start roof panel runs. Replaces with improved Rake Starter Plates.
5. Adjusted appearance of eave trim to allow for nesting over new eave plates.
6. Removed “Functional”/“Architectural” designations allowing for reduction in additional confusing details.
7. Corrected gable step-in eave details to properly tie into wall condition. Now includes proper slip connection to wall tie-in.
8. Revised valley plate detail.

Note: Updates listed in this document are a general reference to the major changes to the document. Any minor updates and corrections to the document are not listed above. Licensee should review the entire document for compatibility with their current Architectural Guide.

INDEX

GENERAL DETAILS

Details Index..... 1
General.....2
Detail Locator3
Roof Panel Sections - 16" Panels.....4
Roof Panel Sections - 18" Panels.....5
Roof Panel Seam Section — With Floating Panel Clip6
Roof Panel Seam Section — With Fixed Panel Clip7
Roof Panel Clip Details.....8
Alternate Roof Panel Endlap Details9
Roof Panel Endlap Details10
Roof Panel End Dam Details.....11
Insulation Section - Rigid Foam12
Insulation Section - Glass Fiber Blanket13
Roof Panel Over Plywood Sections14

SPECIALTY CONDITION DETAILS

Mansard Section..... 15
Hip Section16
Ridge Section17

STANDARD ROOF DETAILS

Eave Section — Eave Trim..... 18
Eave Section — Sculpted Eave Trim19
Eave Section — Eave Gutter, Southern Style20
Eave Section — Eave Gutter, Northern Style.....21
Roof Panel Endlap Section.....22
Ridge Section23
Alternate High Eave Section With Back-up Channel24
High Eave Section with Back-up Plate25
Rake Section - Starting Rake26
Rake Section - Finish Rake27
Transition Section - High Eave28
Transition Section - Gable Off Module29
Transition Section - Gable On Module30
Interior Gutter Section31
Valley Gutter Section32

GENERAL

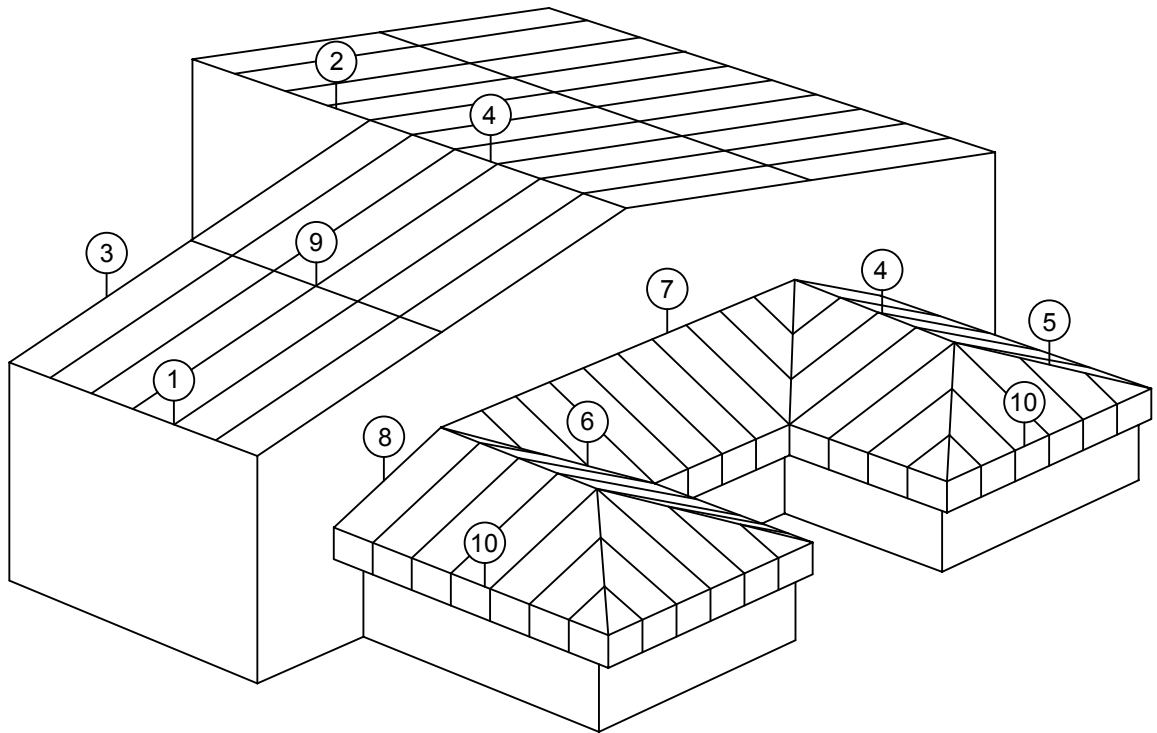
The following Architectural Details provide a graphic description of the *Company Name* PanelCraft Standing Seam Roof System and its standard applications. Use these details to determine the applications required for your specific project.

These standard application details are based on typical and proven designs utilizing gasket type sealed assemblies to provide more positive weather resistance over a broad range of conditions, including low pitched roofs. It is the project designer's responsibility to assure that the specified application is appropriate for the roof's intended use.

These details show generic roof secondary framing, roof insulation and adjacent construction for simplicity of presentation. These details may be modified to accommodate clarification of structural members, roof insulation, trim profile, tie-in to adjacent construction, etc.

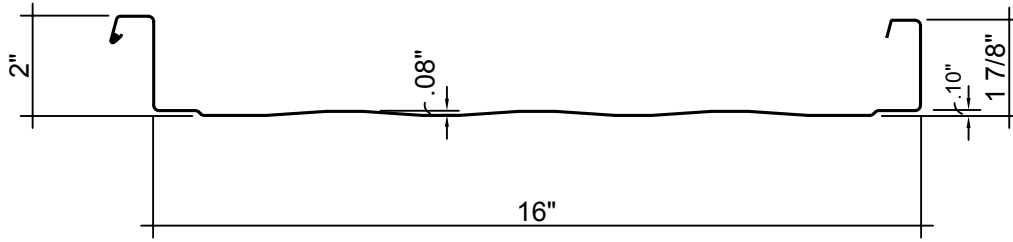
The basic function of the details, such as roof panel assembly and fit-up to closures and flashing, sealing and attachments etc. cannot be modified. All applications, not in accordance to these details, require approval by the *Company Name*.

In case of conflict between these Architectural details and the project's erection drawings, the erection drawings will take precedence.

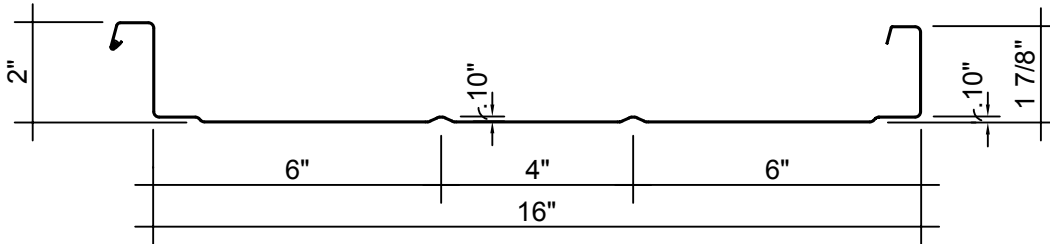


DETAIL LEGEND

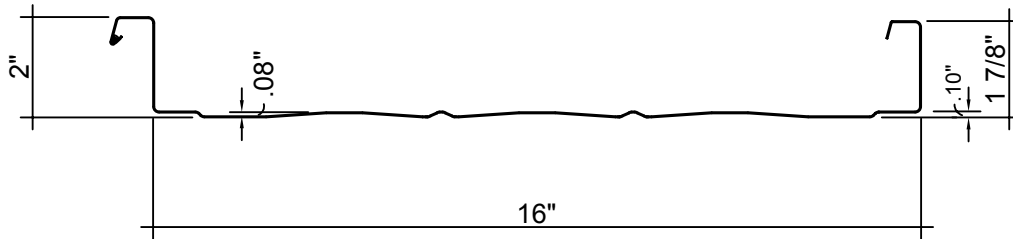
- ①EAVE
- ②HIGH EAVE
- ③RAKE
- ④RIDGE
- ⑤HIP
- ⑥VALLEY
- ⑦HIGH EAVE TRANSITION
- ⑧RAKE TRANSITION
- ⑨ROOF PANEL ENDLAP
- ⑩MANSARD



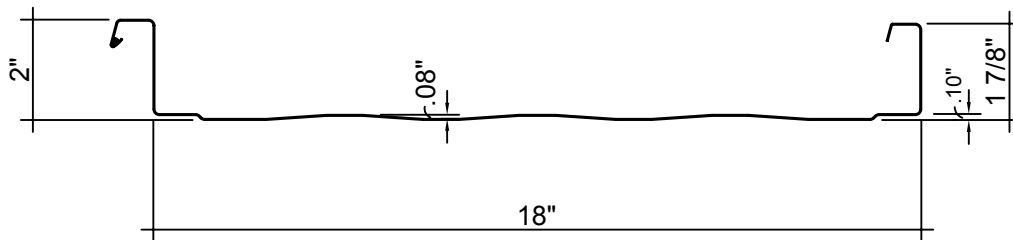
PC 216 Roof Panel
With Striated Pan



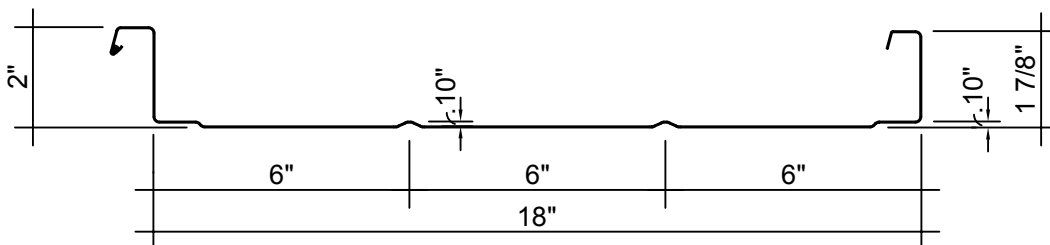
PC 216 Roof Panel
With Beaded Pan



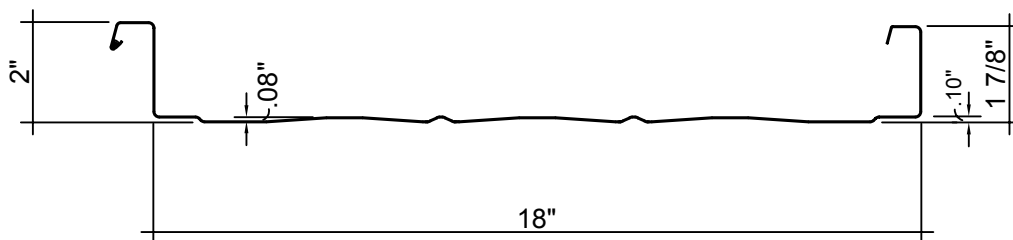
PC 216 Roof Panel
With Striation/Bead Combo Pan



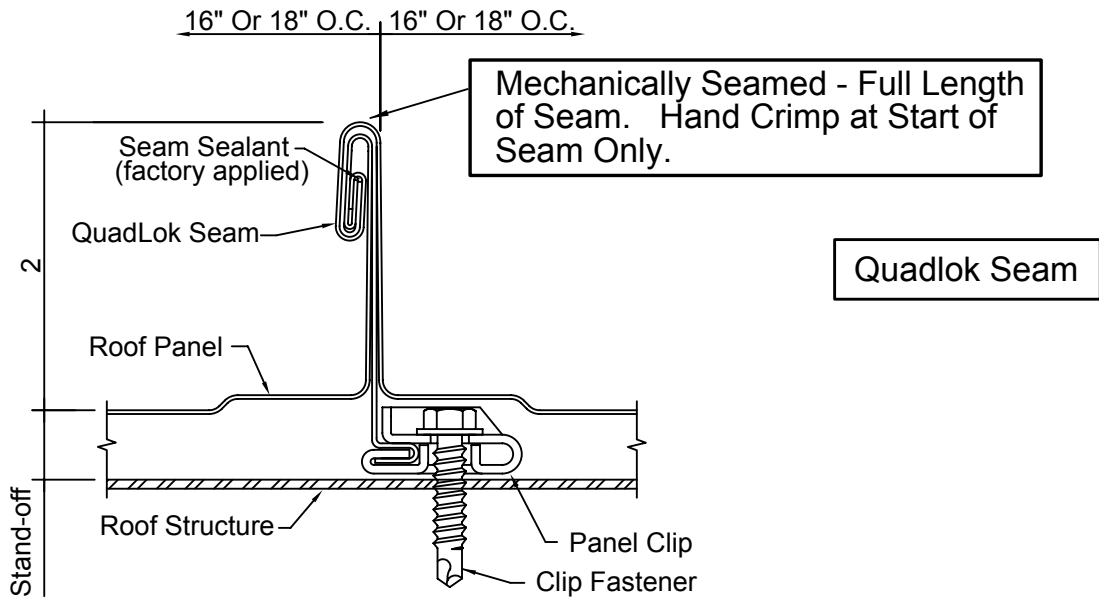
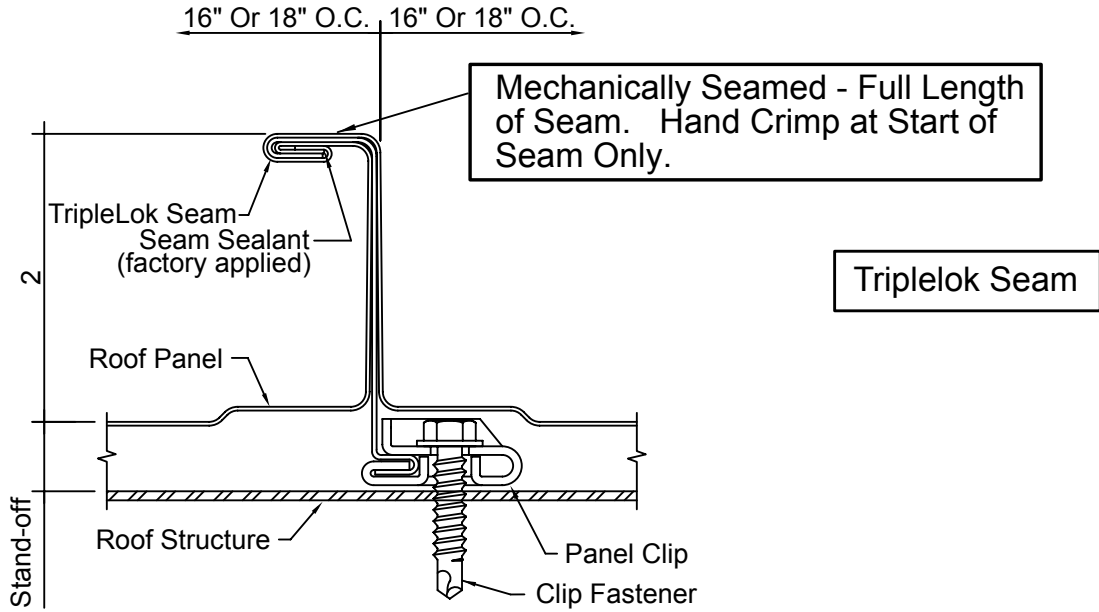
PC 218 Roof Panel
With Striated Pan

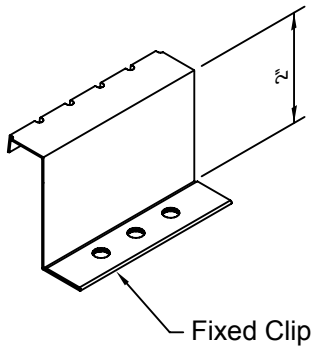
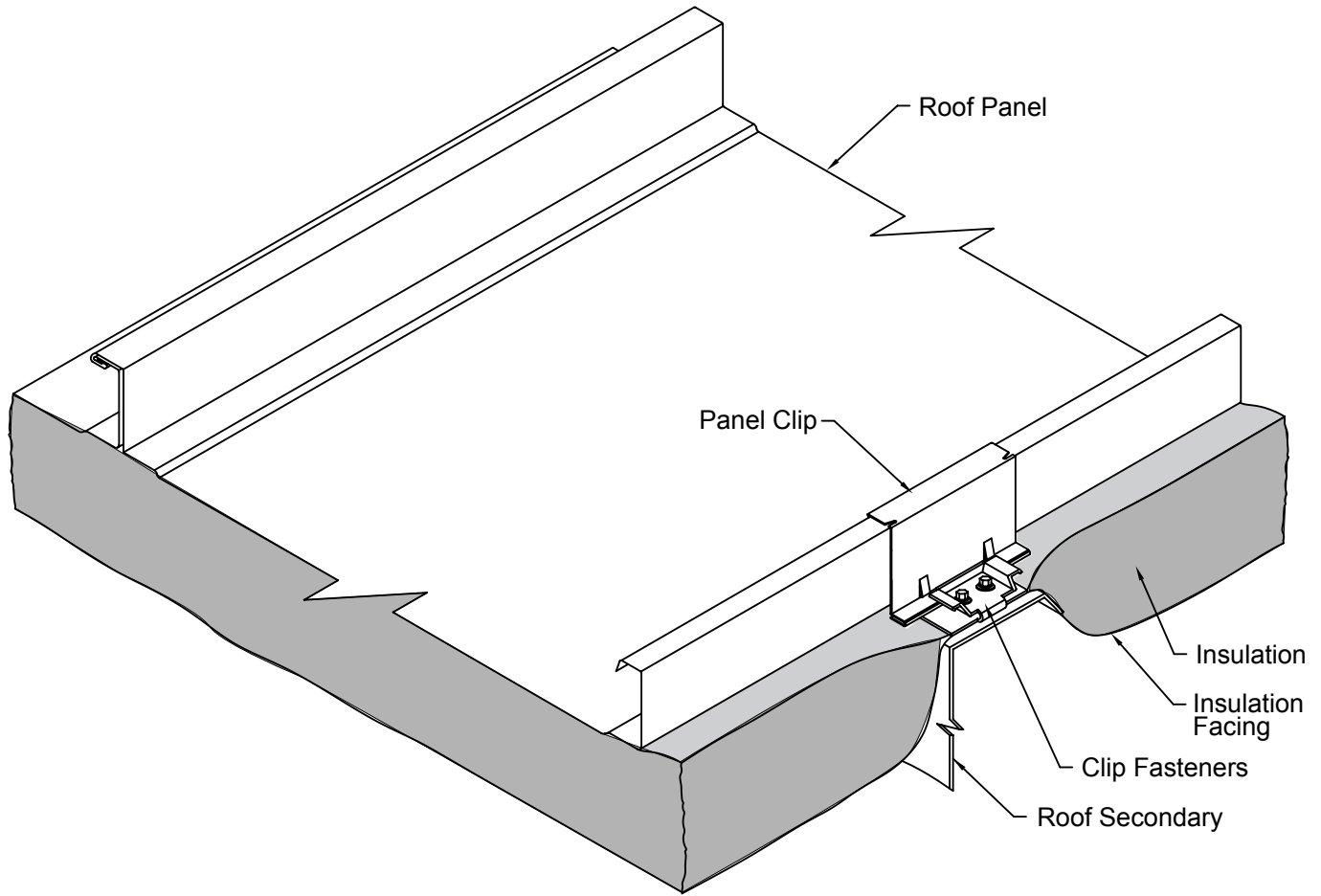


PC 218 Roof Panel
With Beaded Pan

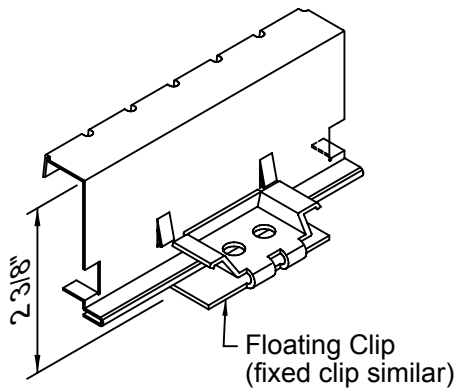


PC 218 Roof Panel
With Striation/Bead Combo Pan

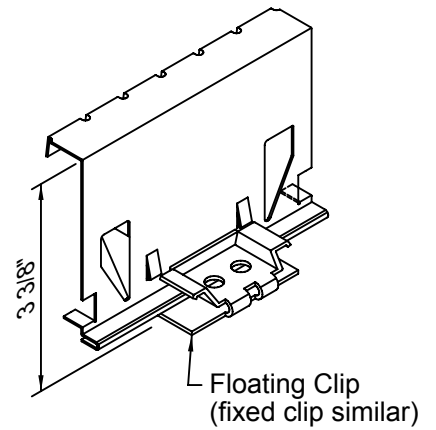




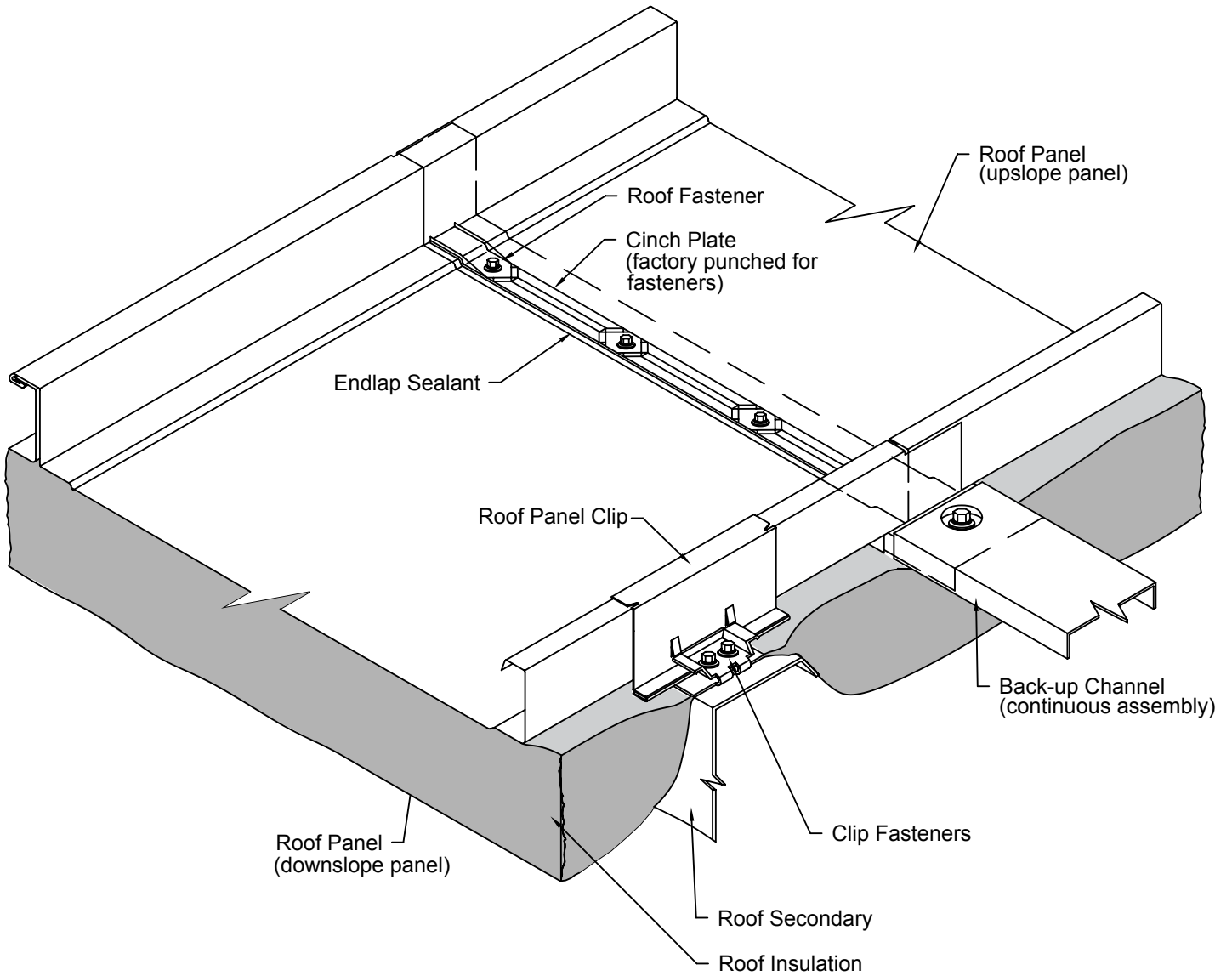
For 0", 1/2", 1-1/2" Stand-off
Fixed Roof

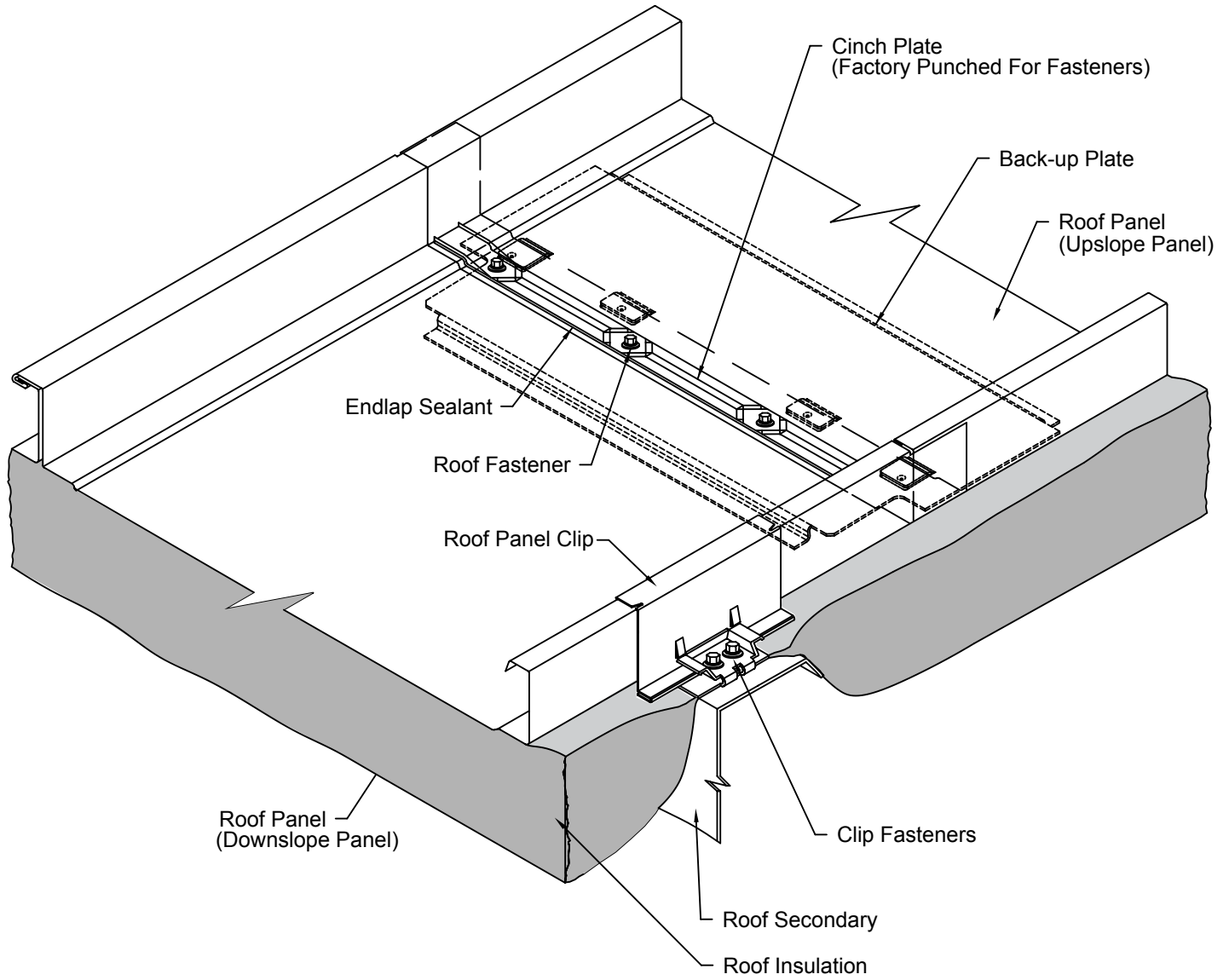


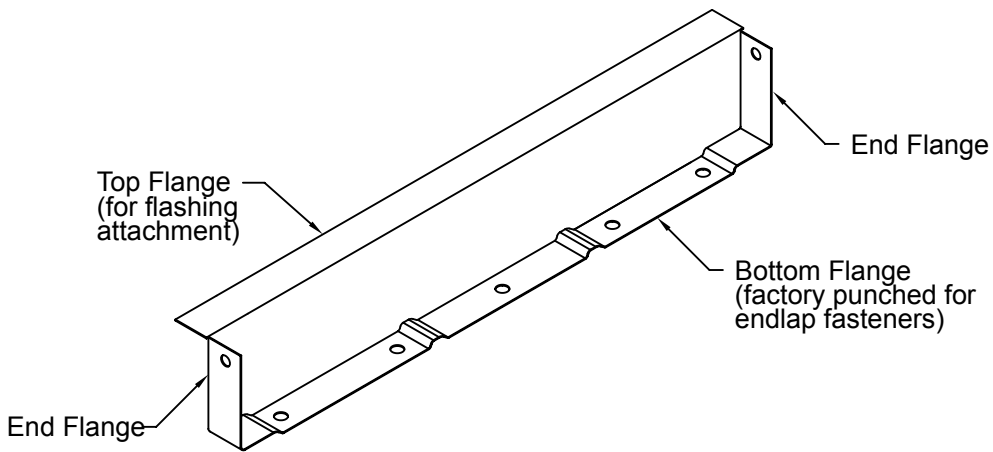
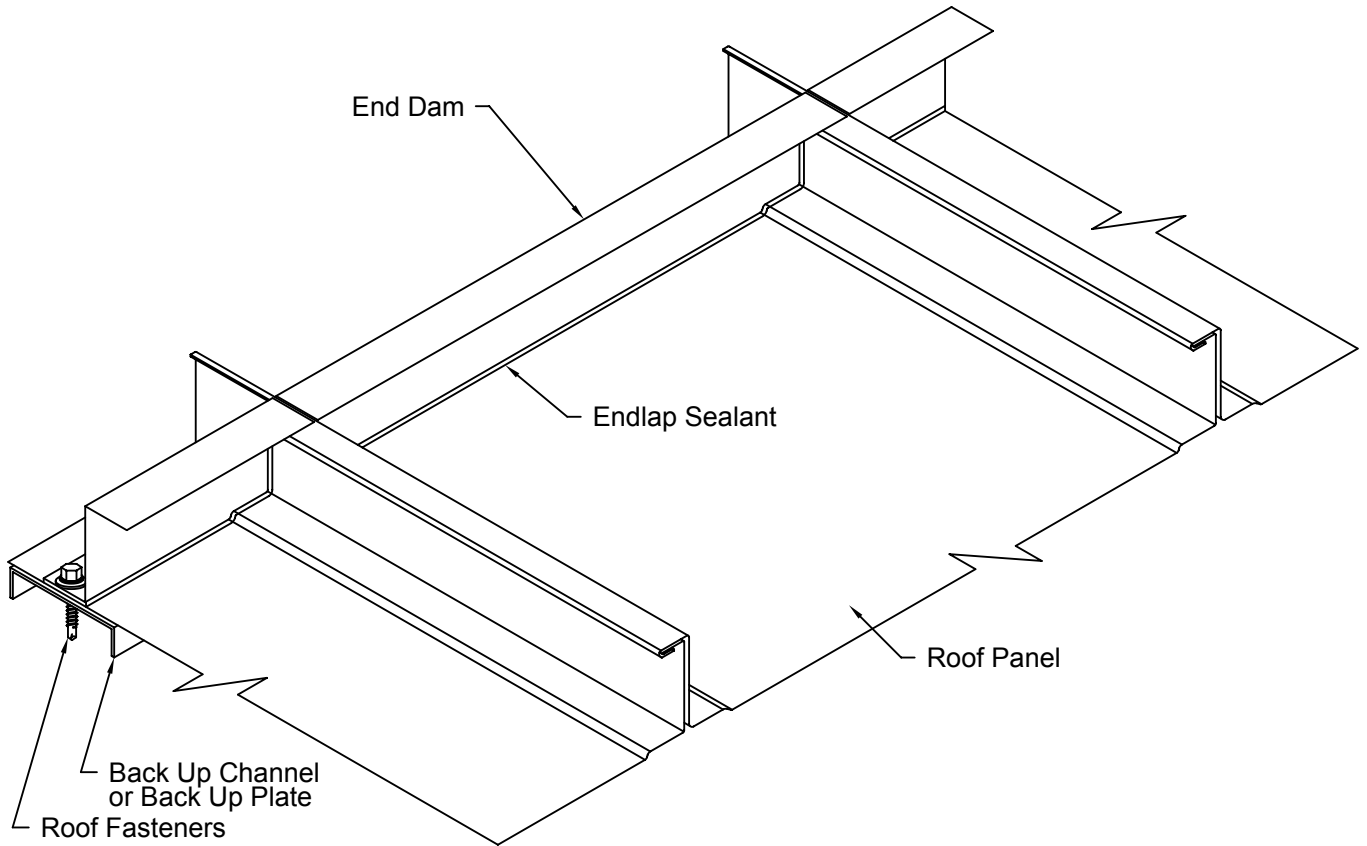
For 1/2" Stand-off
Floating Roof



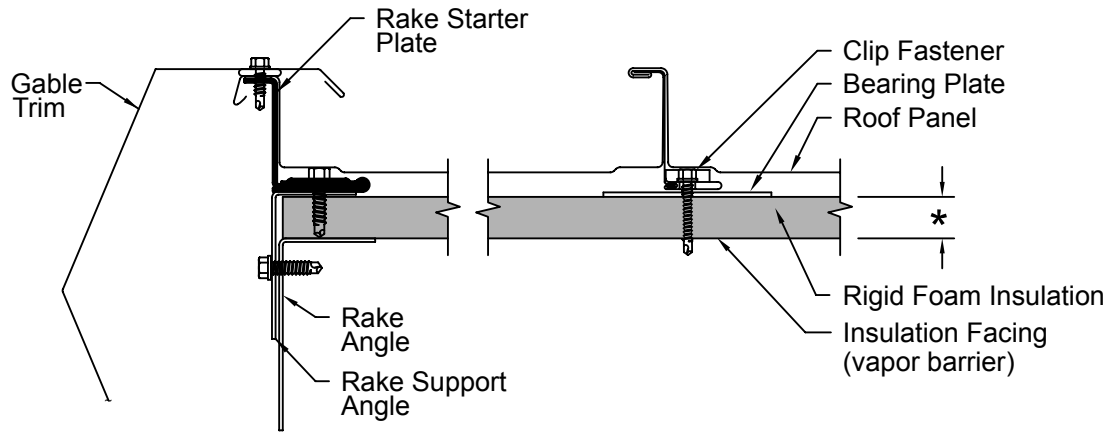
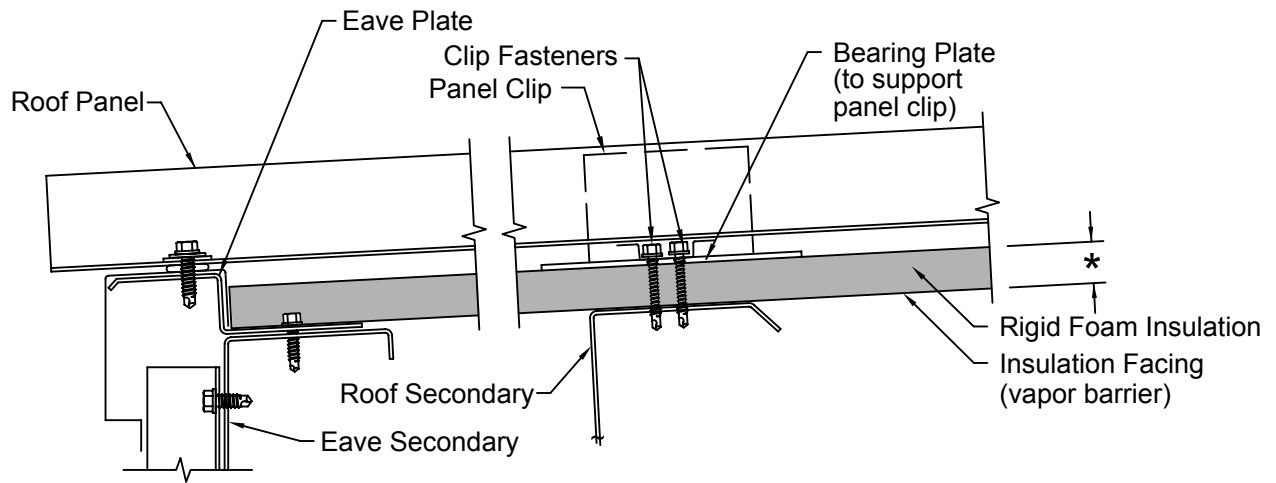
For 1-1/2" & 2" Stand-off
Floating Roof





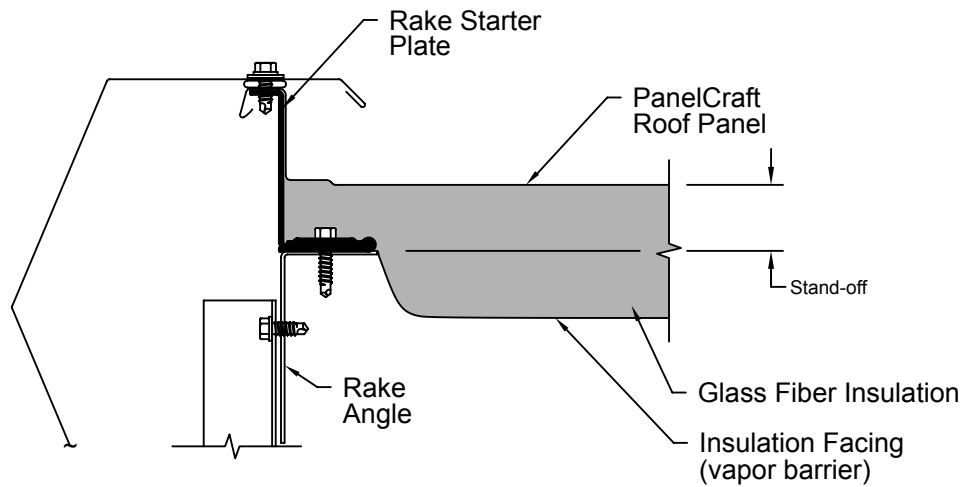
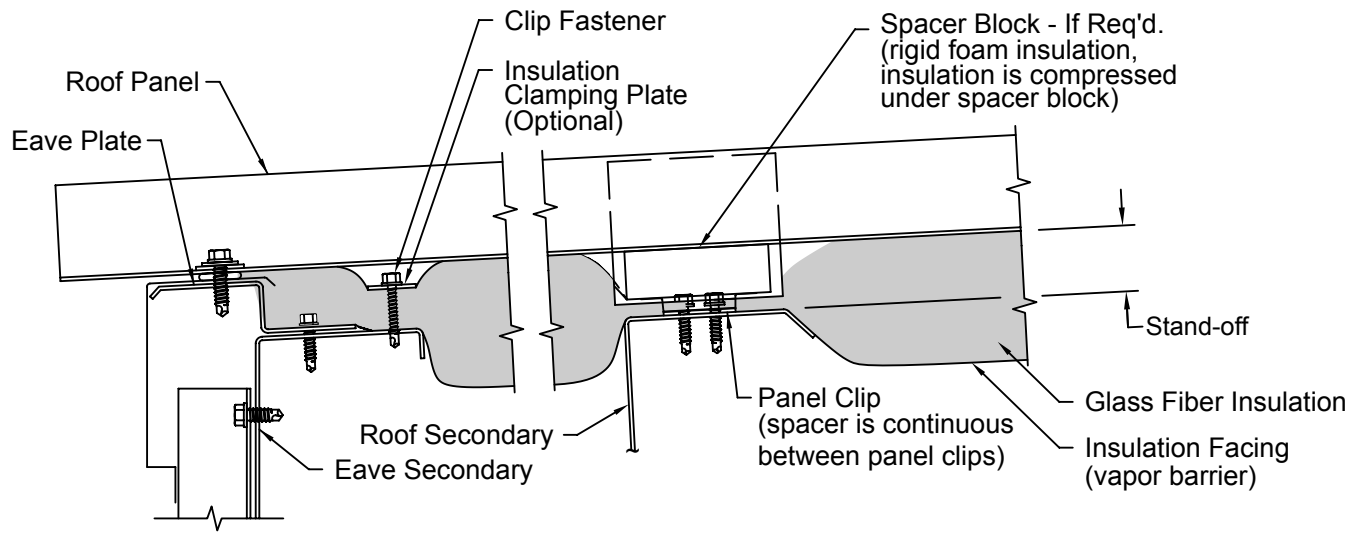


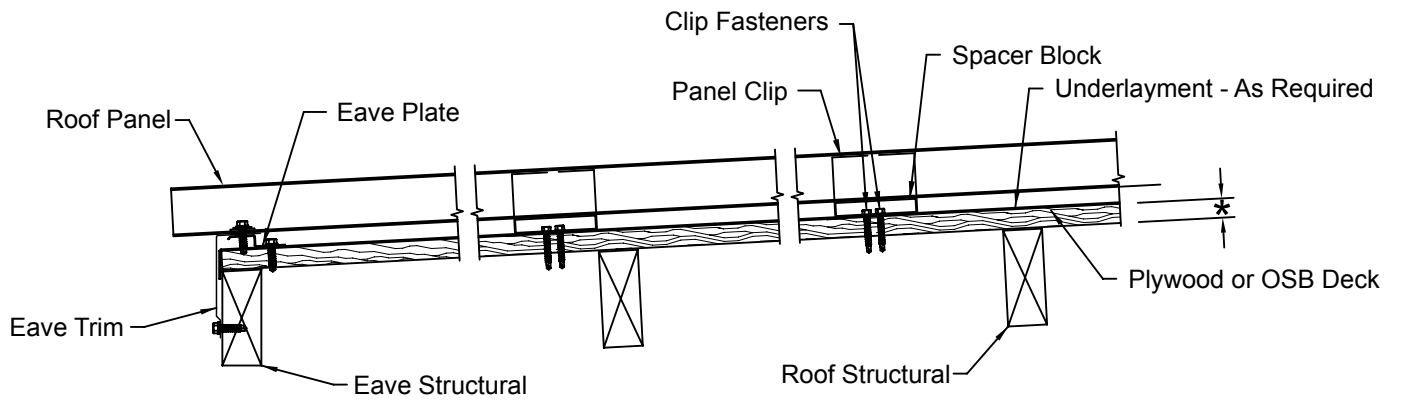
End Dam - Inside View



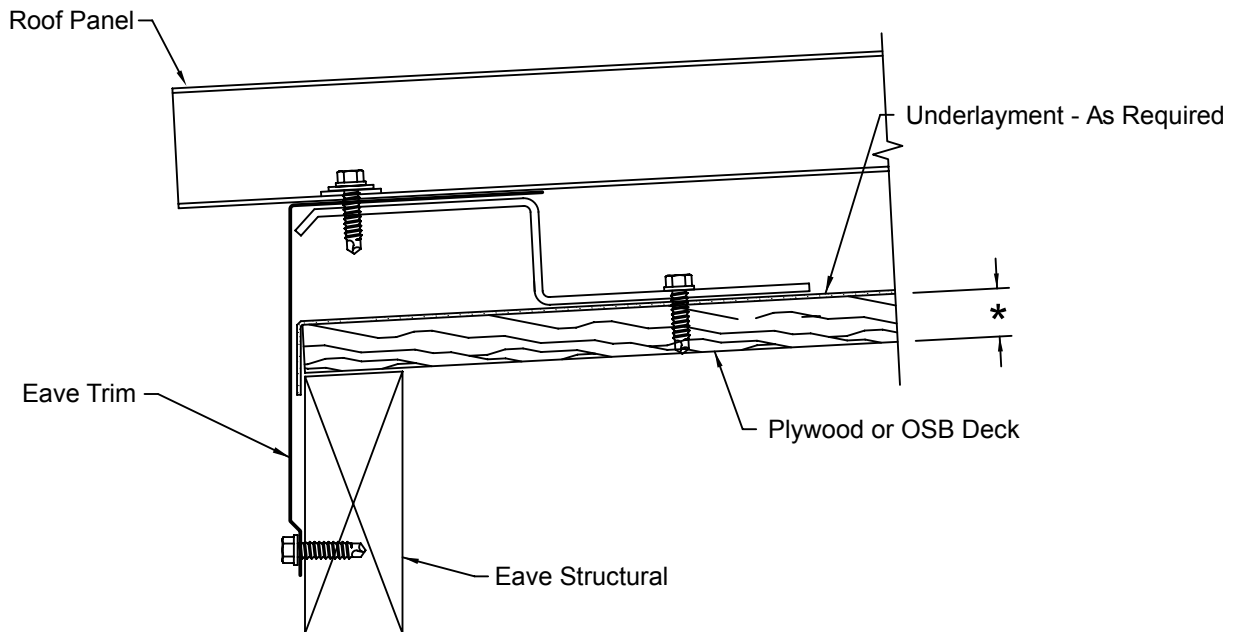
Note

* Rigid Foam Insulation Thickness TBD By Manufacturer



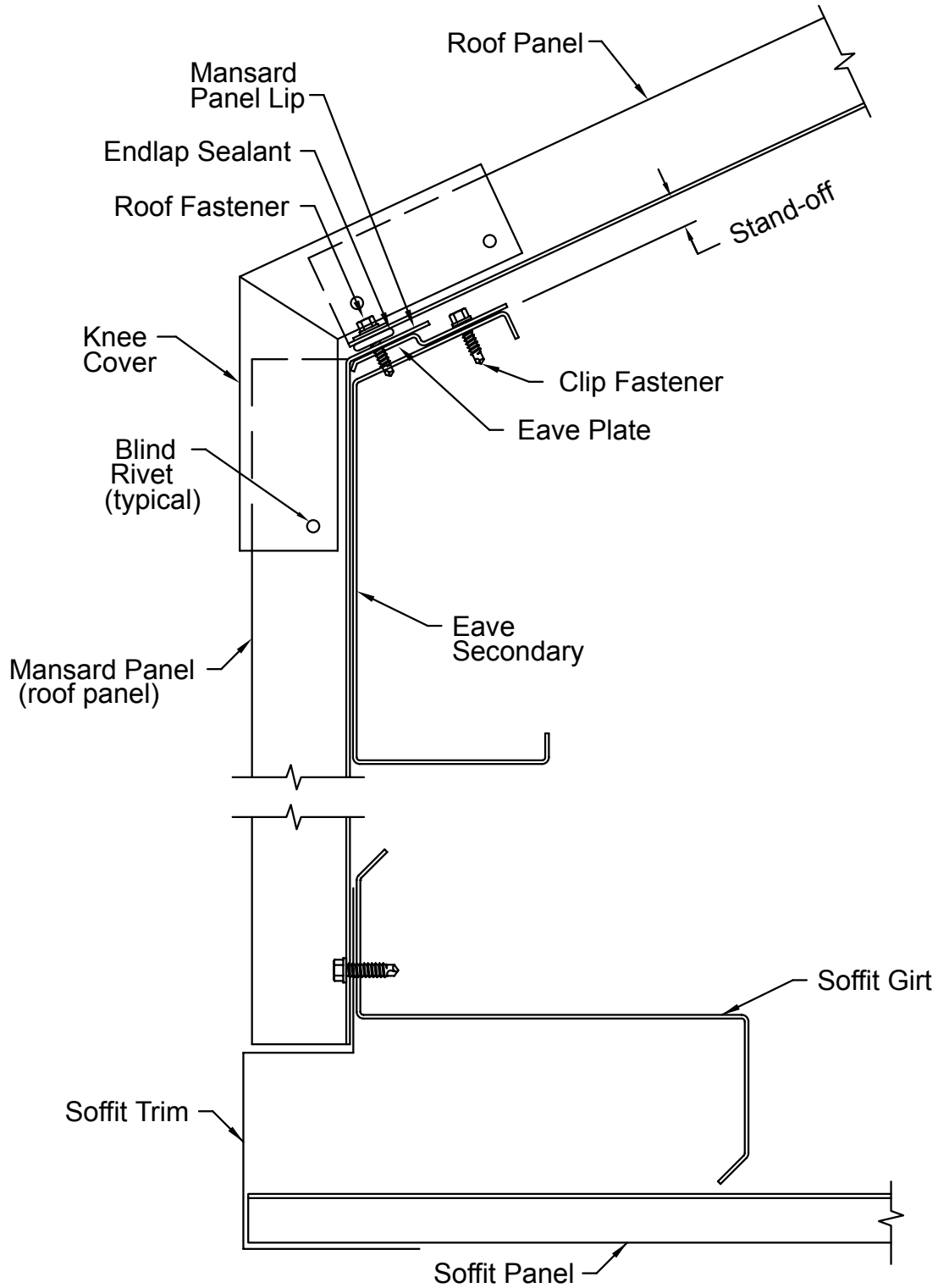


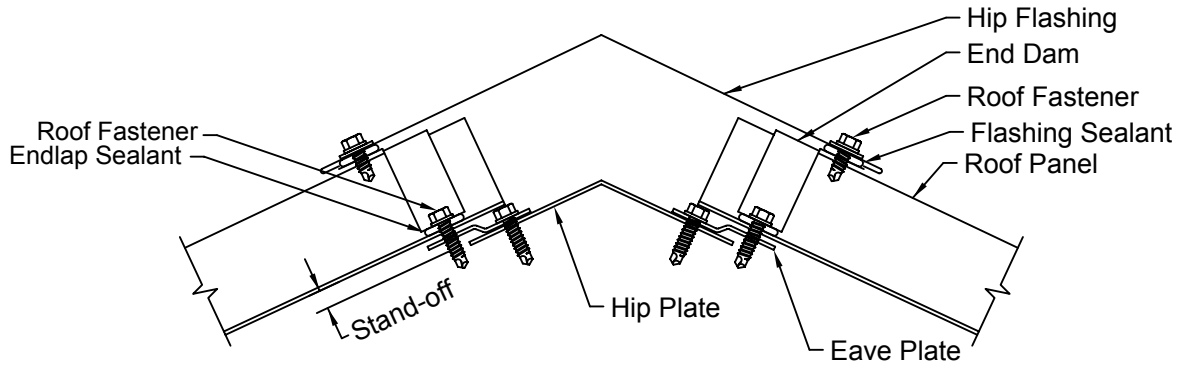
Cross Section @
Roof Structural



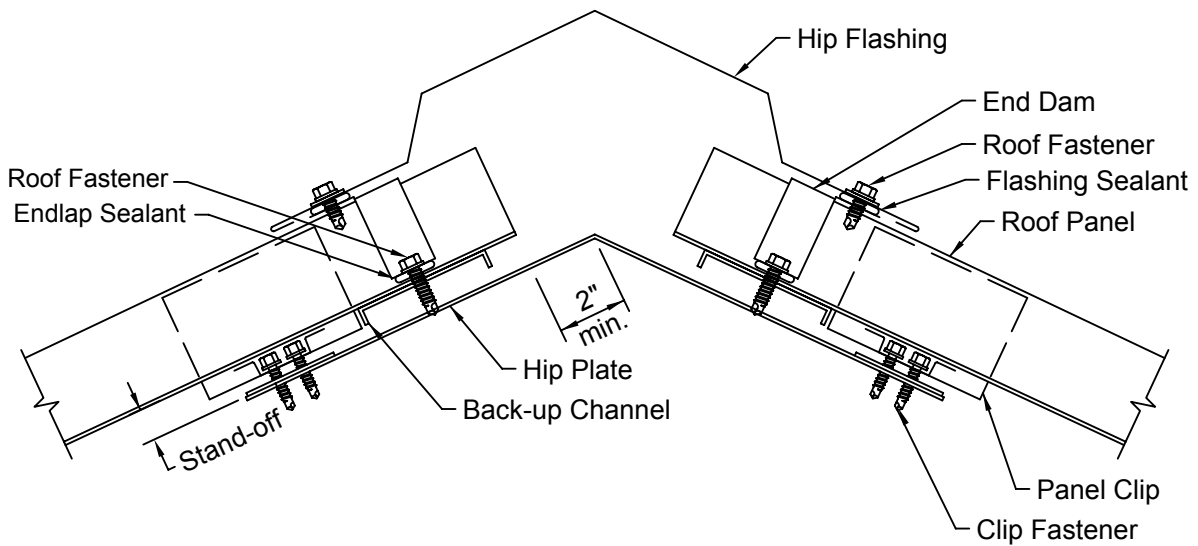
Section @ Eave

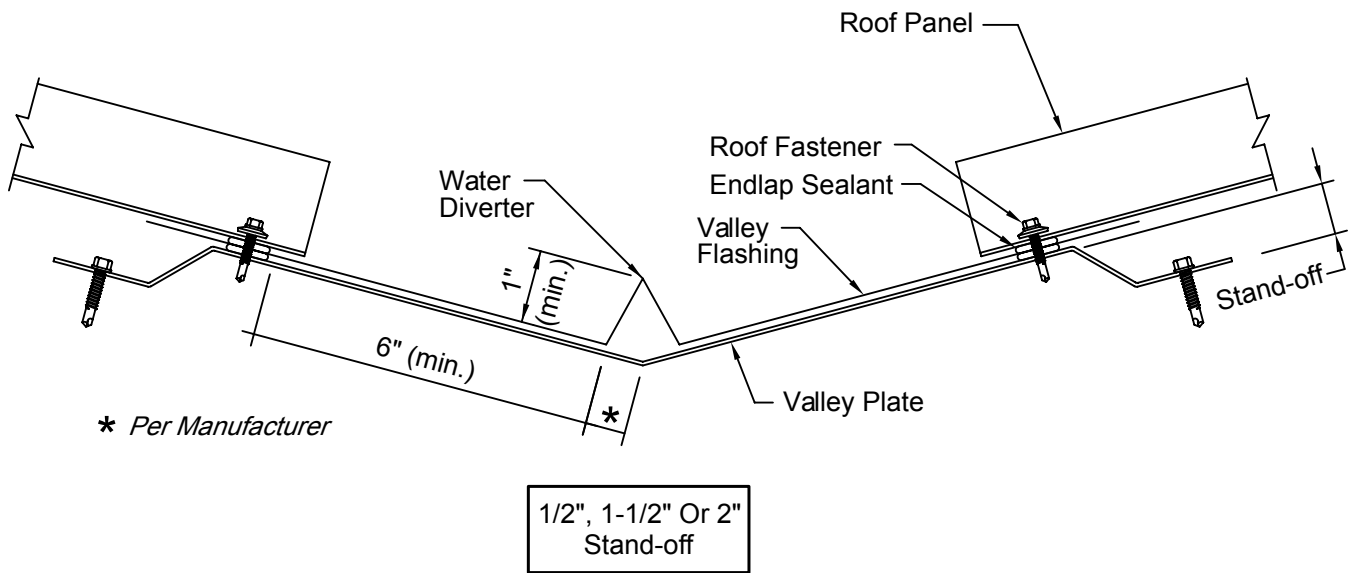
Note
* Plywood Thickness Per Code Requirements

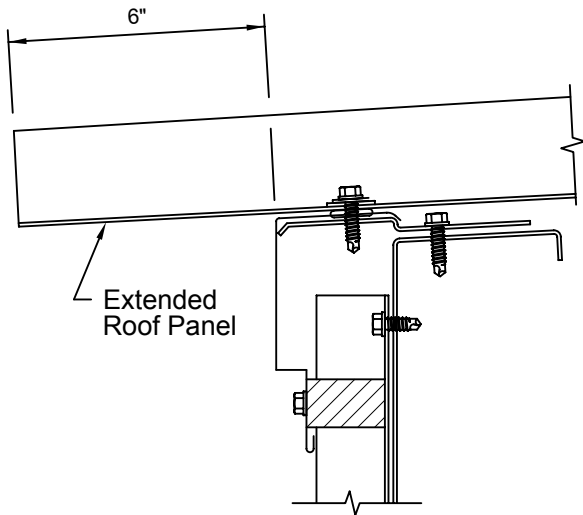
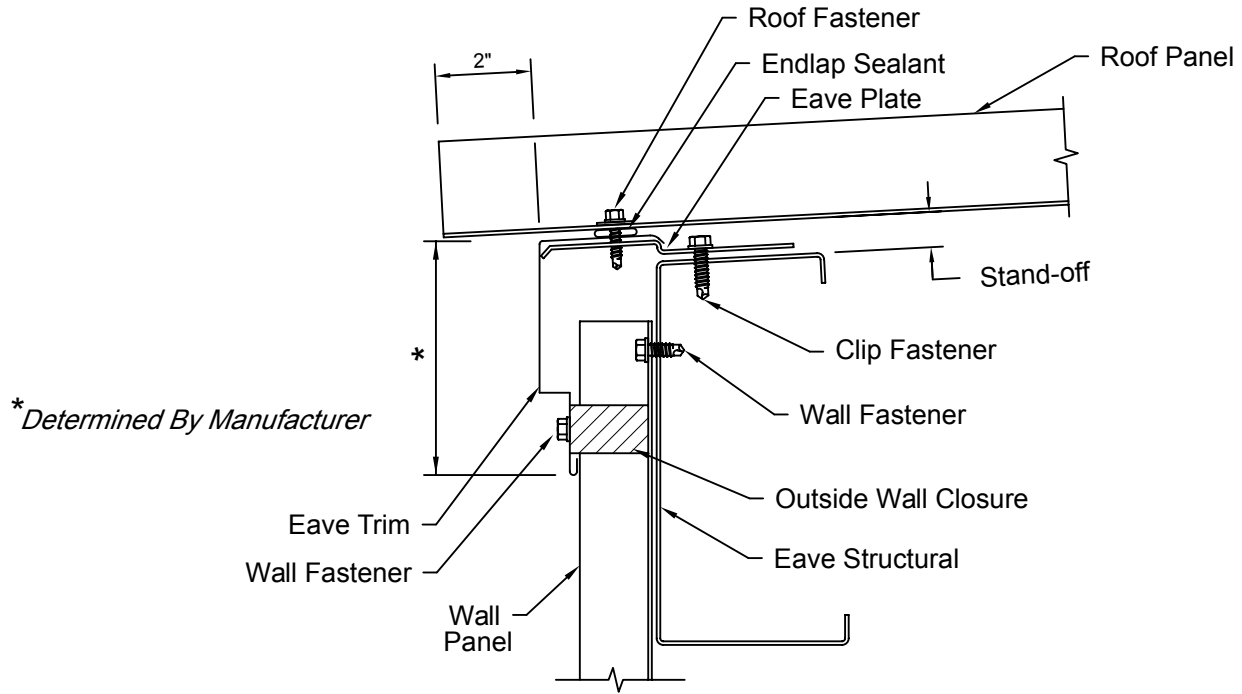




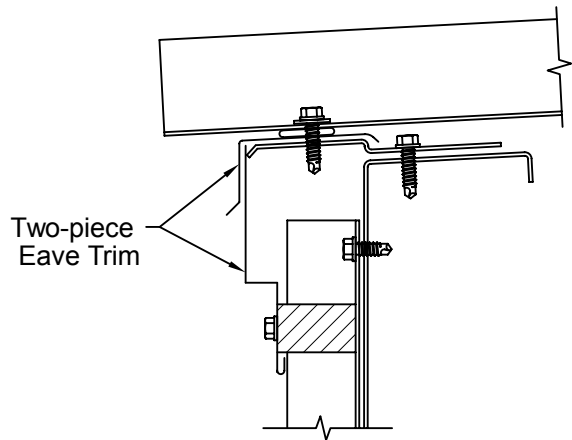
For Hip Panel Lengths Of Twenty Feet Or Less



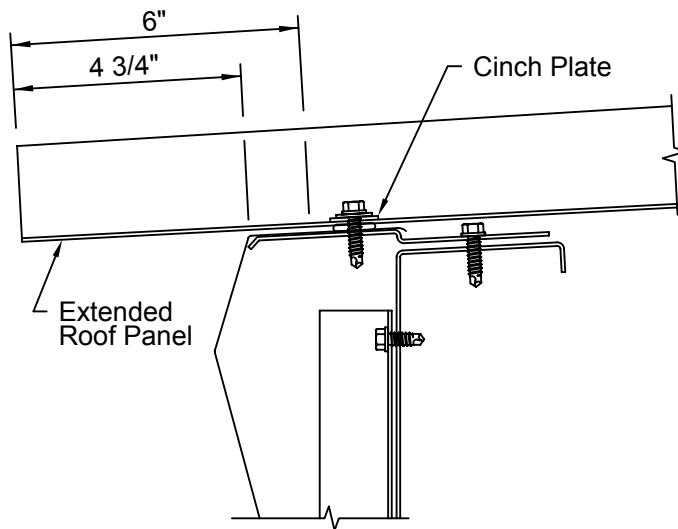
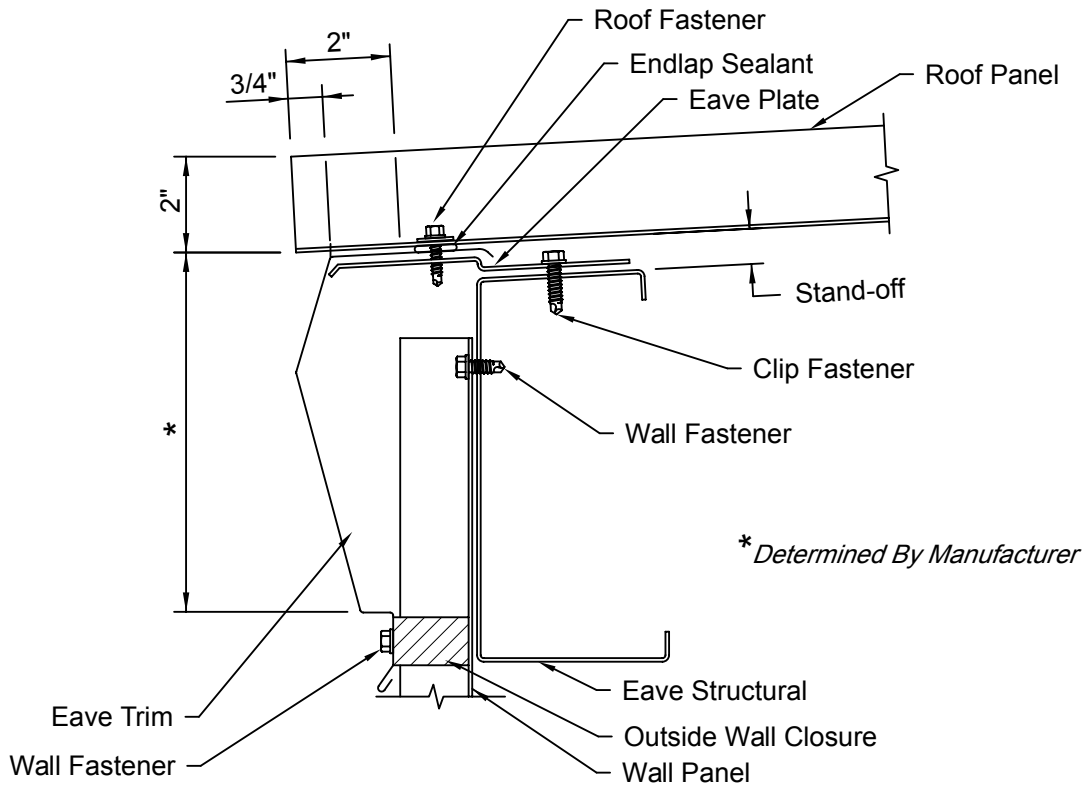




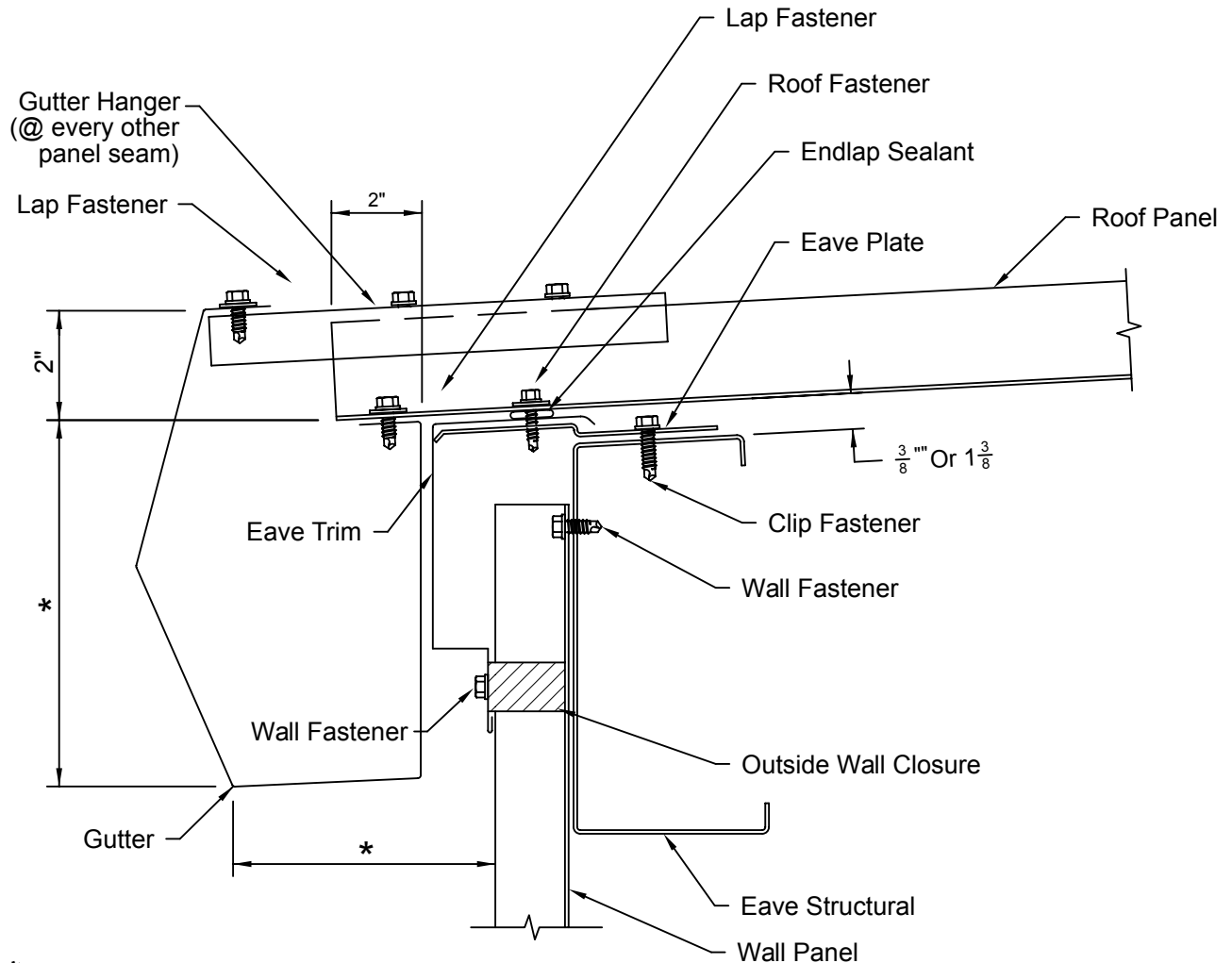
Alternate
Cinch Plate And Extended Roof
(For Heavy Snow And Ice Areas)



Alternate
Two Part Eave Trim
(To Allow Installation Of Wall
Panel After Roof Is In Place)

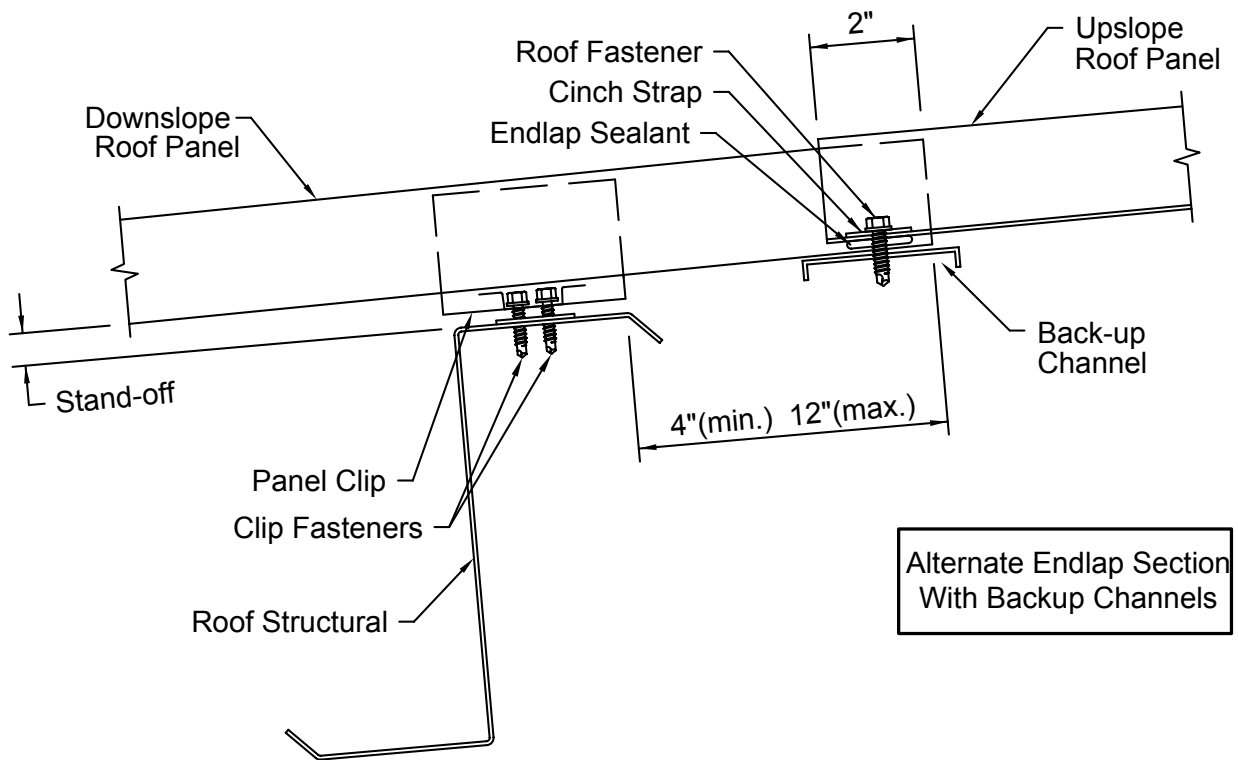
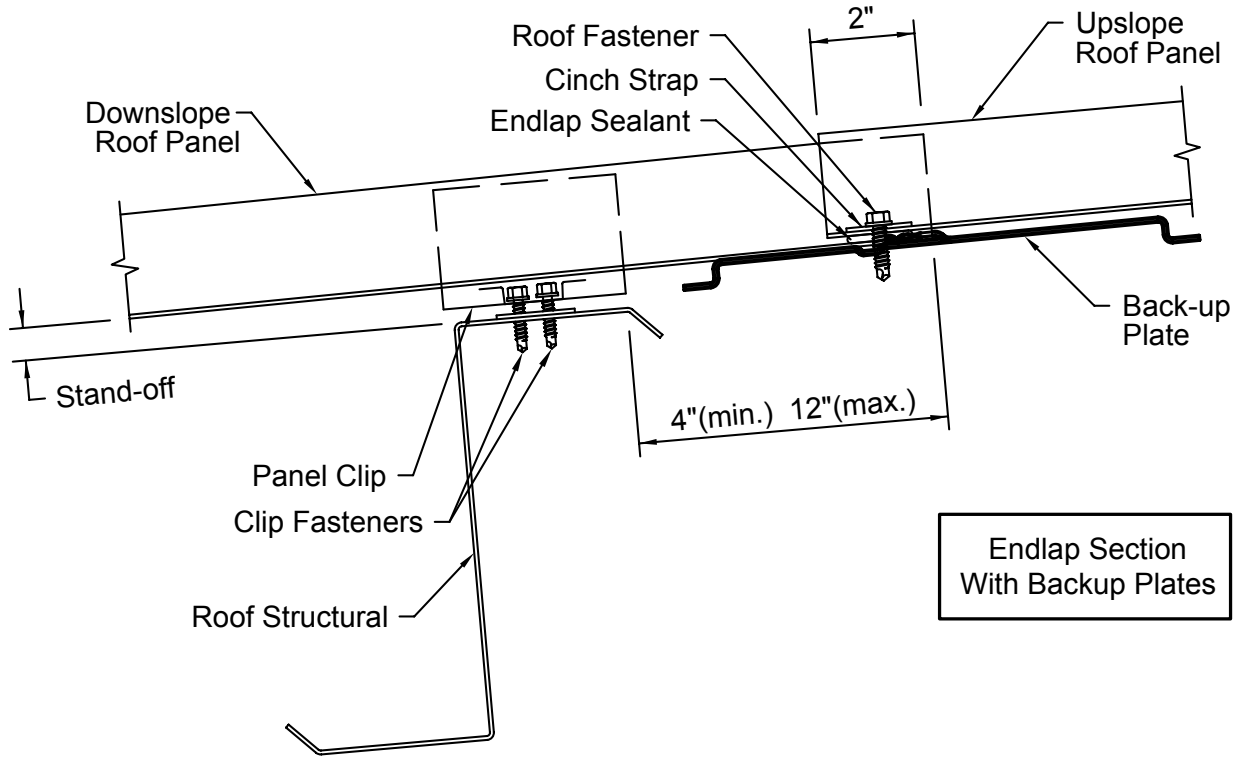


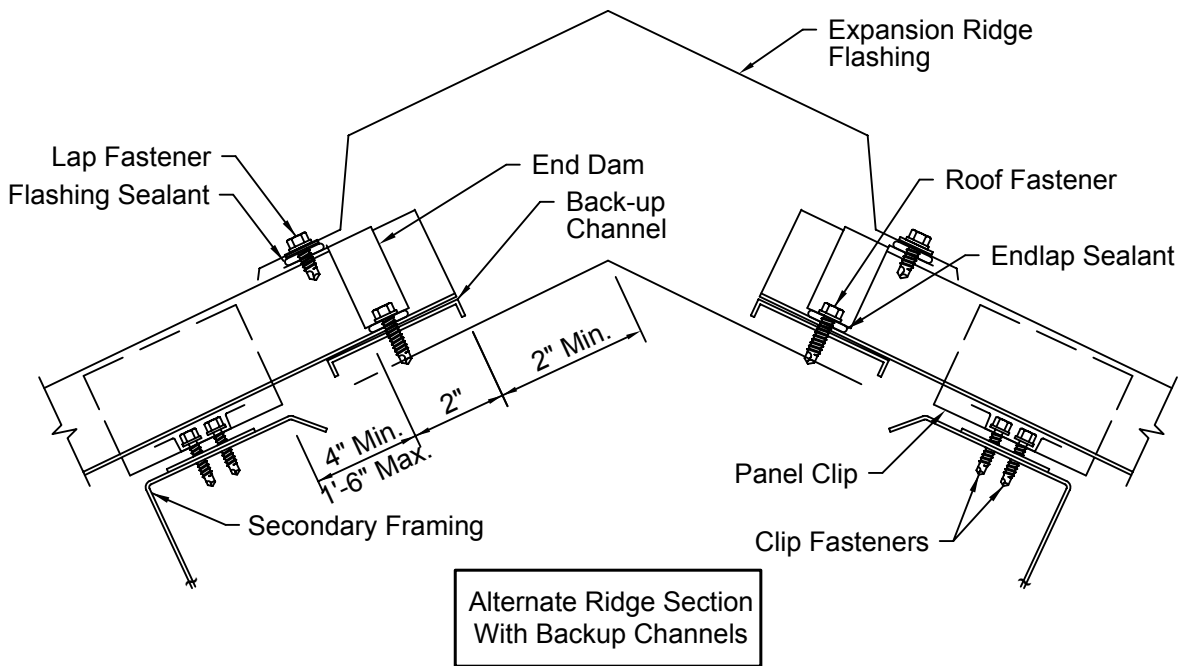
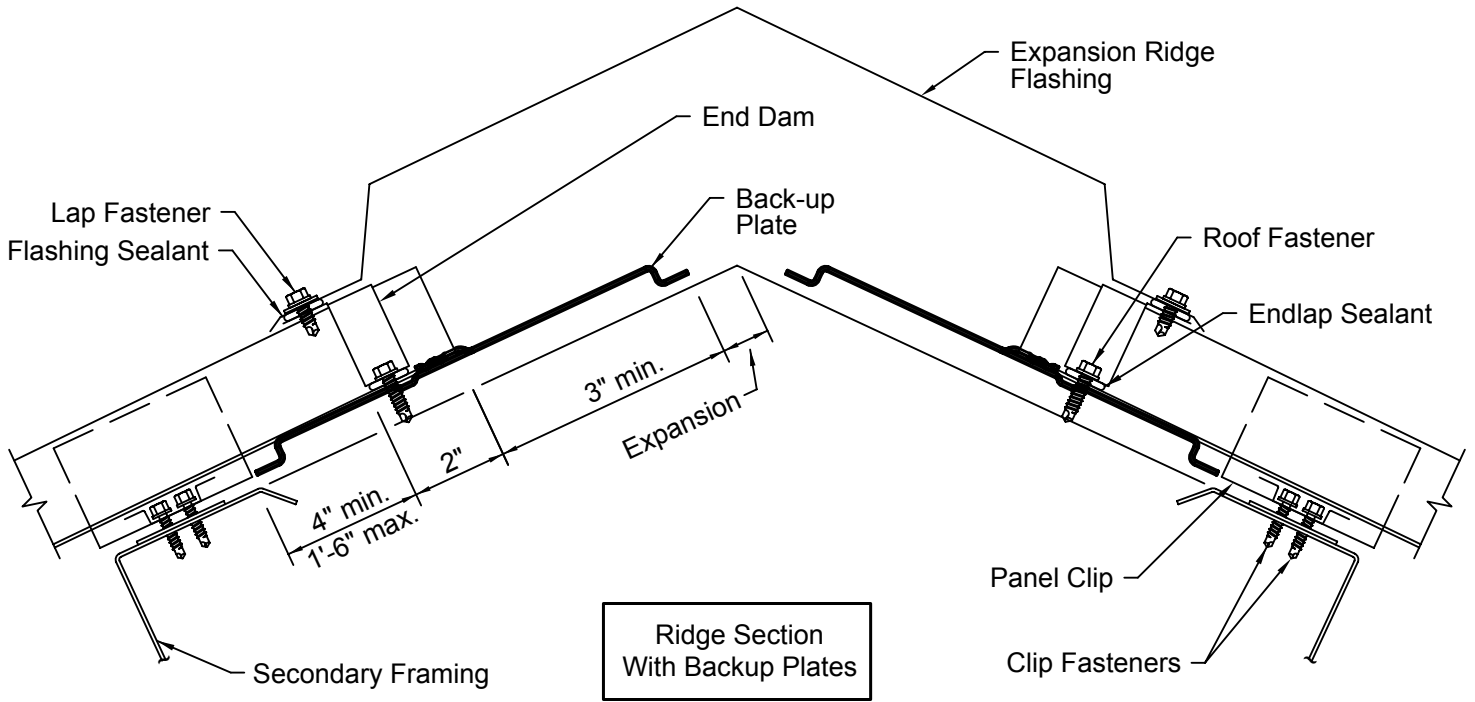
Alternate
Extended Eave Roof Panel
(For Heavy Snow & Ice Areas)

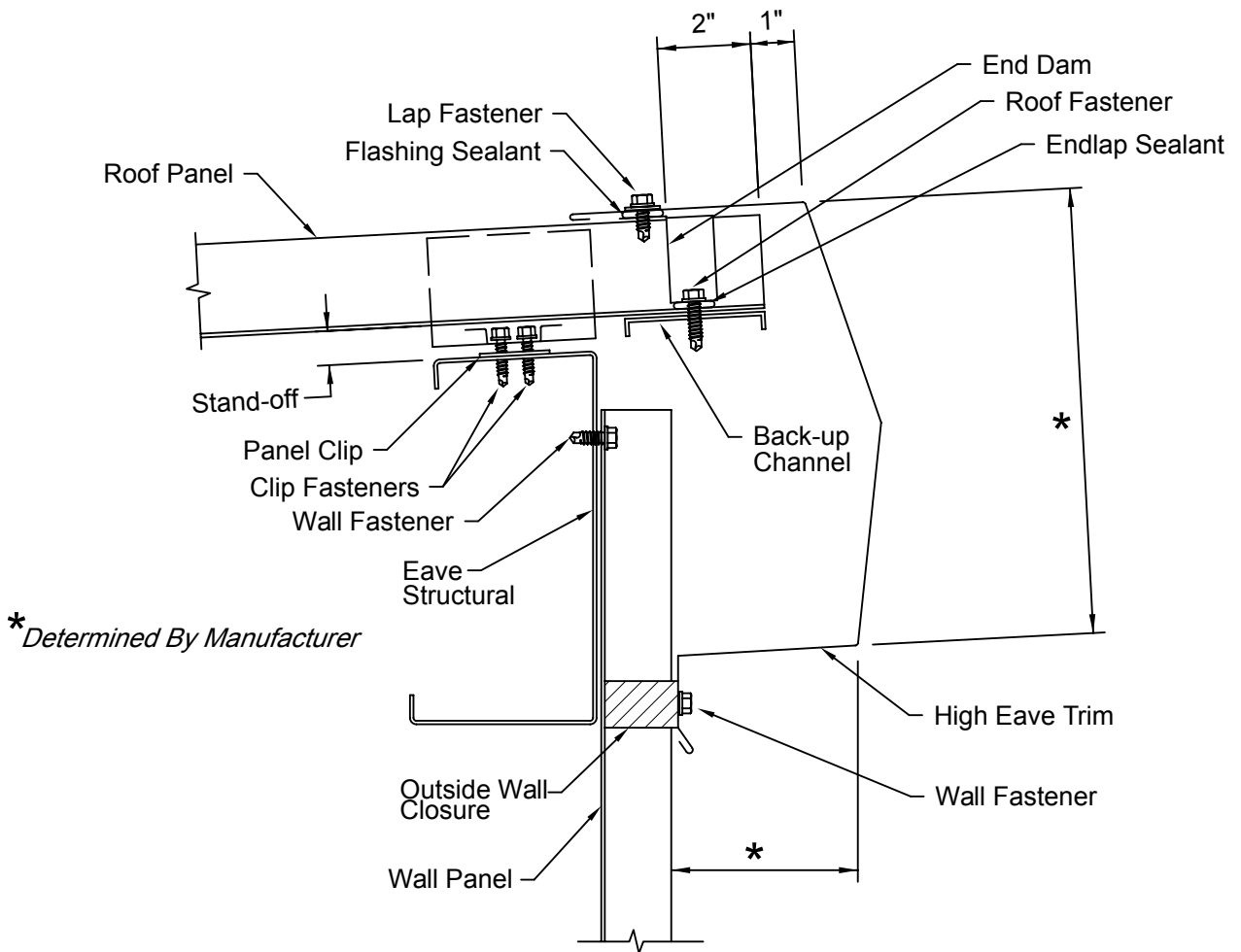


*Determined By Manufacturer

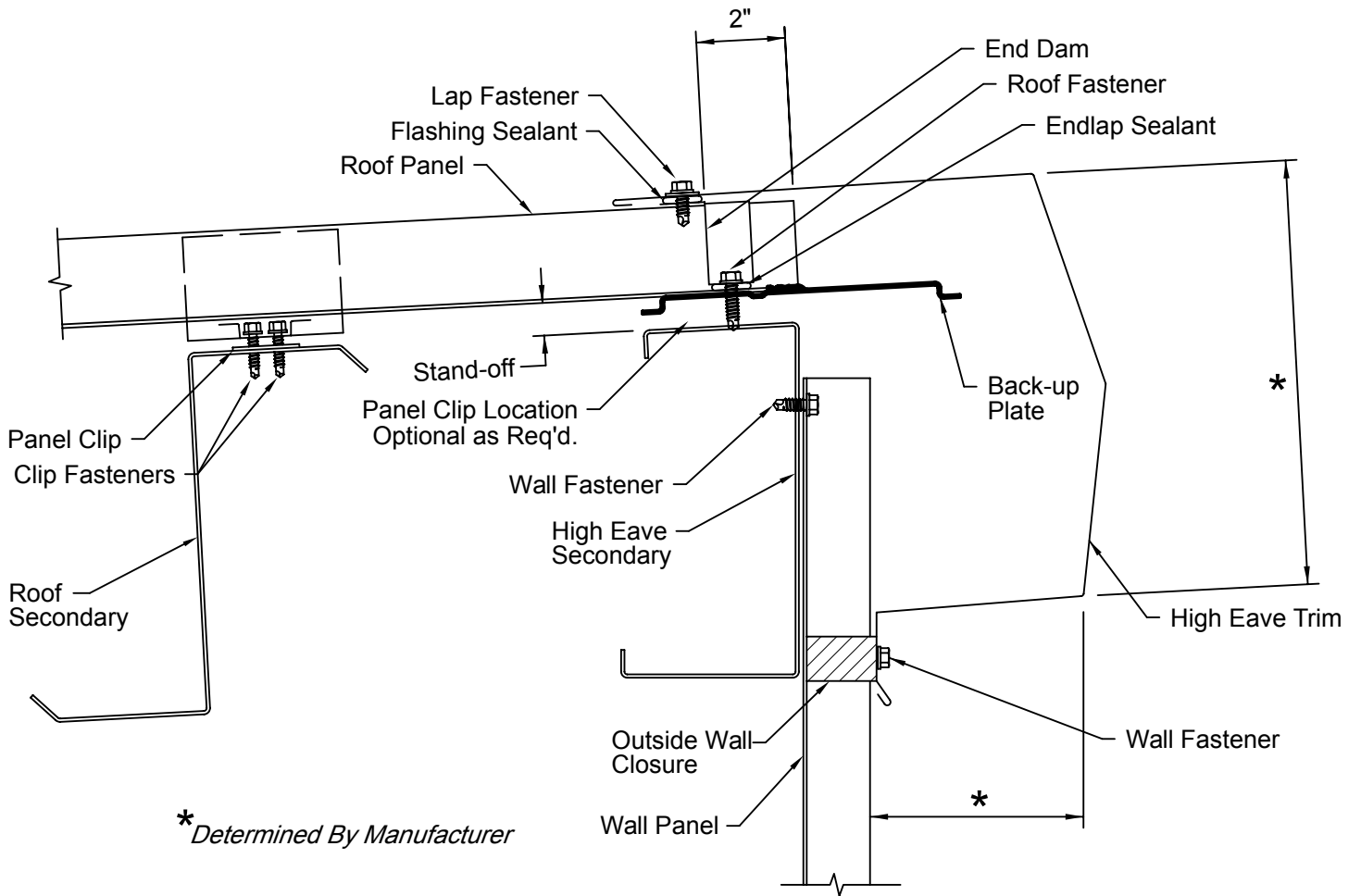
CAUTION
 Gutter Is Not Recommended
 For Areas That Experience Snow,
 Ice, Extreme Rainfall Or Damming Conditions

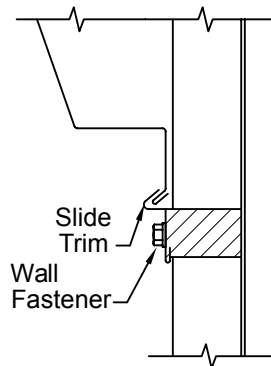
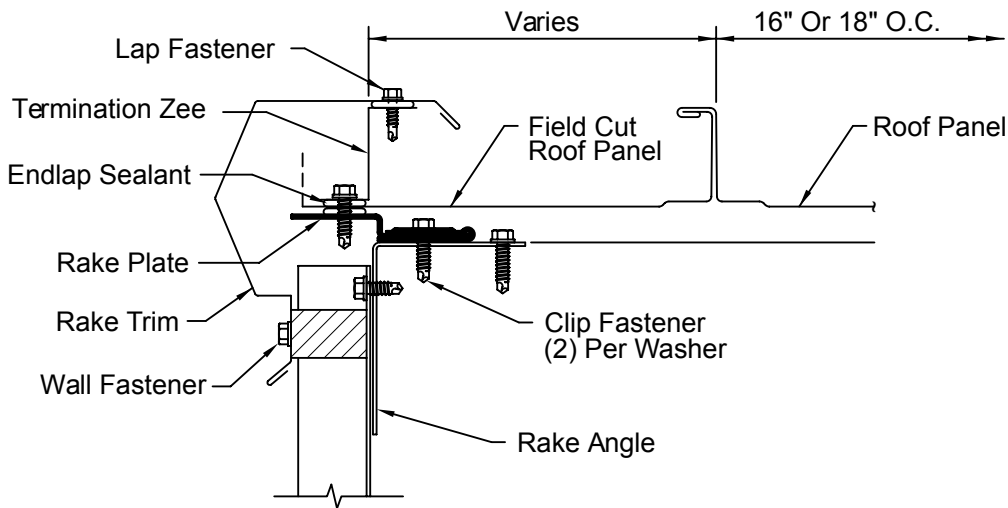
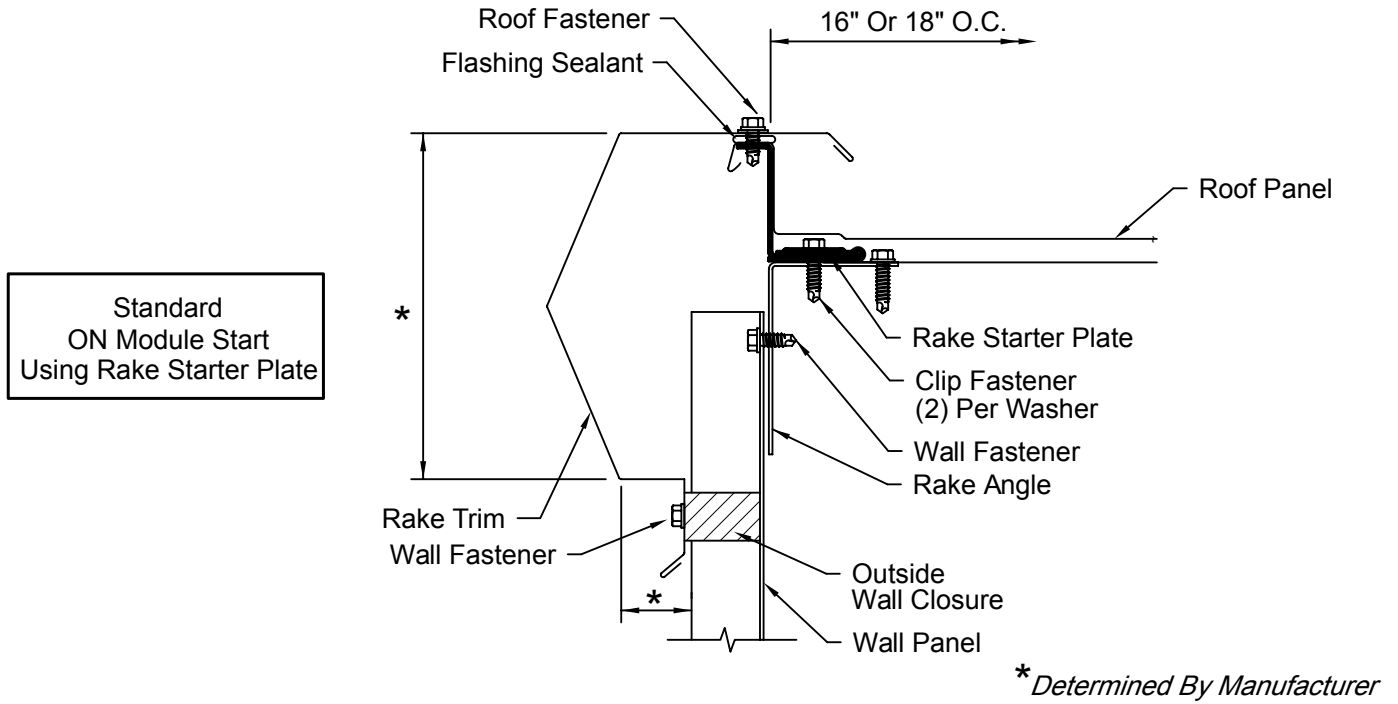






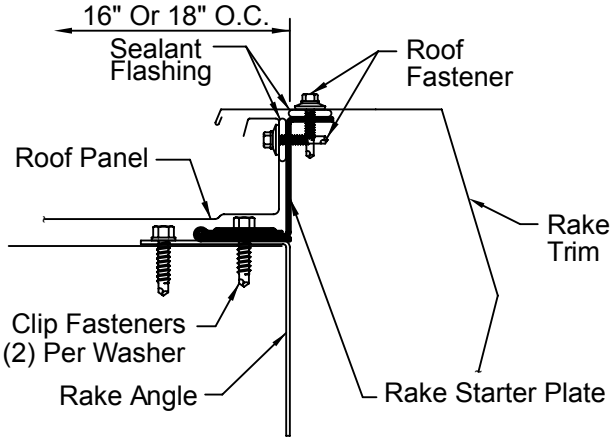
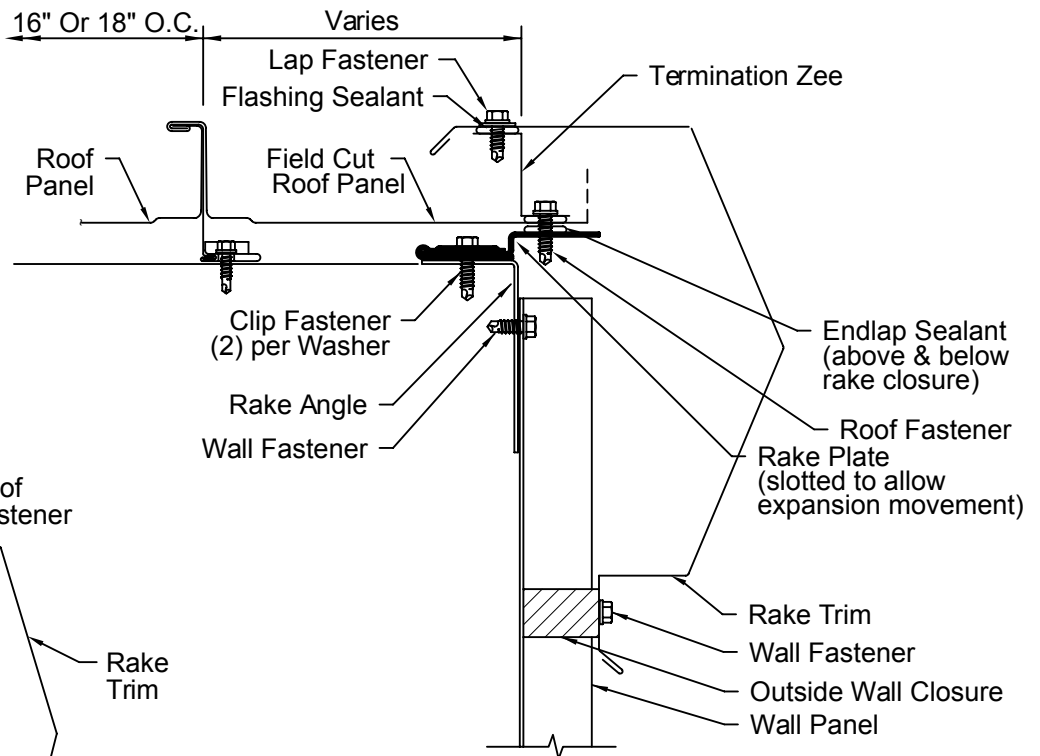
* *Determined By Manufacturer*



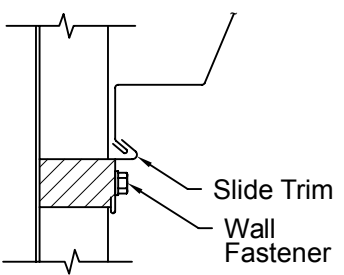


Alternate Sliding Rake Trim
(Allows Expansion Movement Of Rake Trim, Required When Roof Run Exceeds 25')

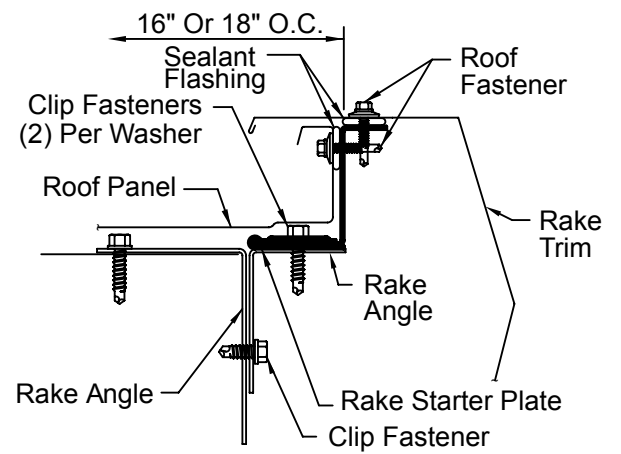
**Standard
OFF Module Termination
Using Rake Plate**



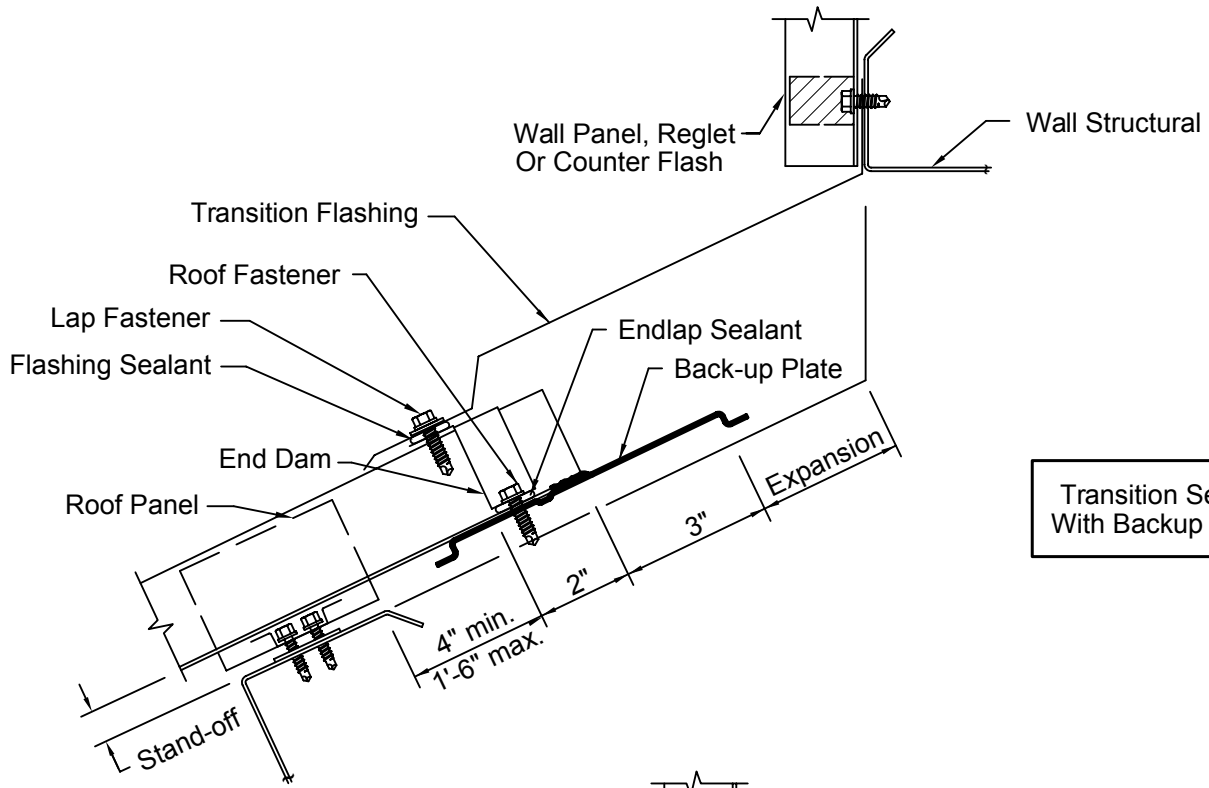
**Optional
ON Module Termination
Using Rake Starter Plate**



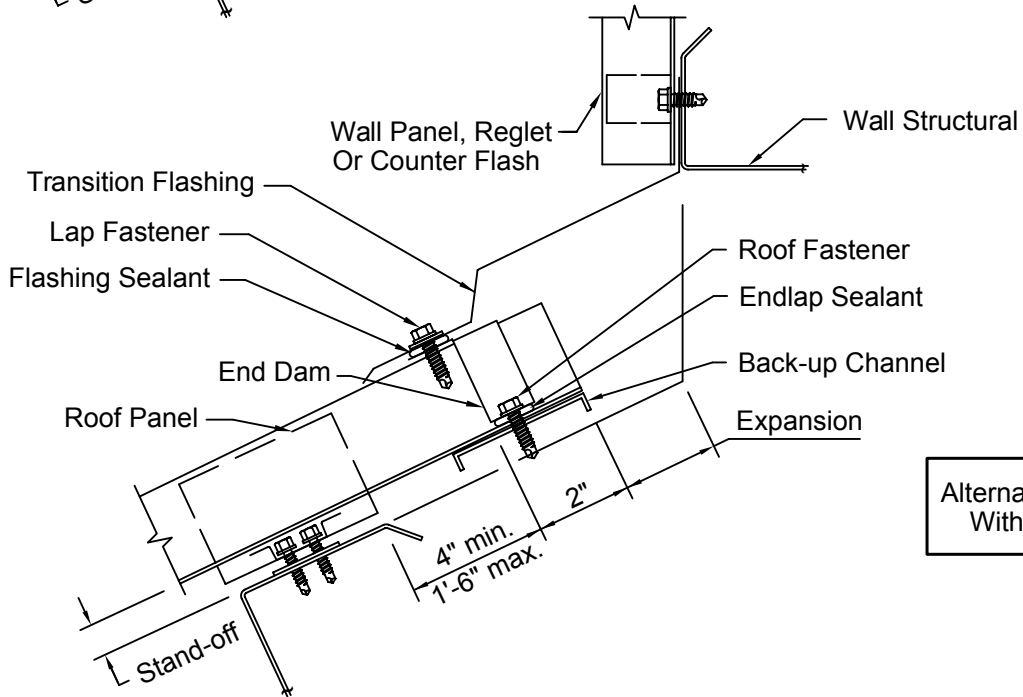
**Alternate
Sliding Rake Trim
(Allows Expansion Movement Of Rake Trim
Required When Roof Run Exceeds 25')**



**Optional
OFF Module Termination
Using Rake Starter Plate**

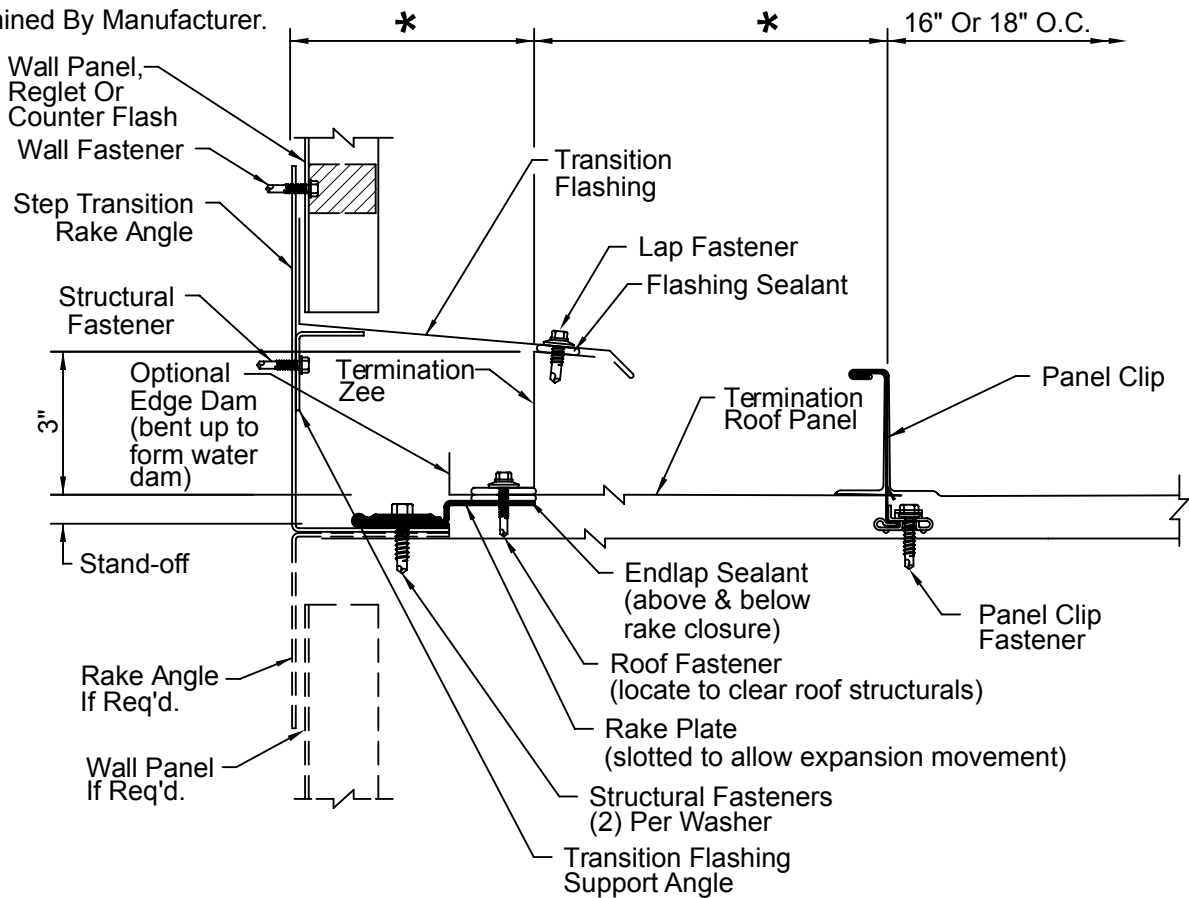


Transition Section With Backup Plates

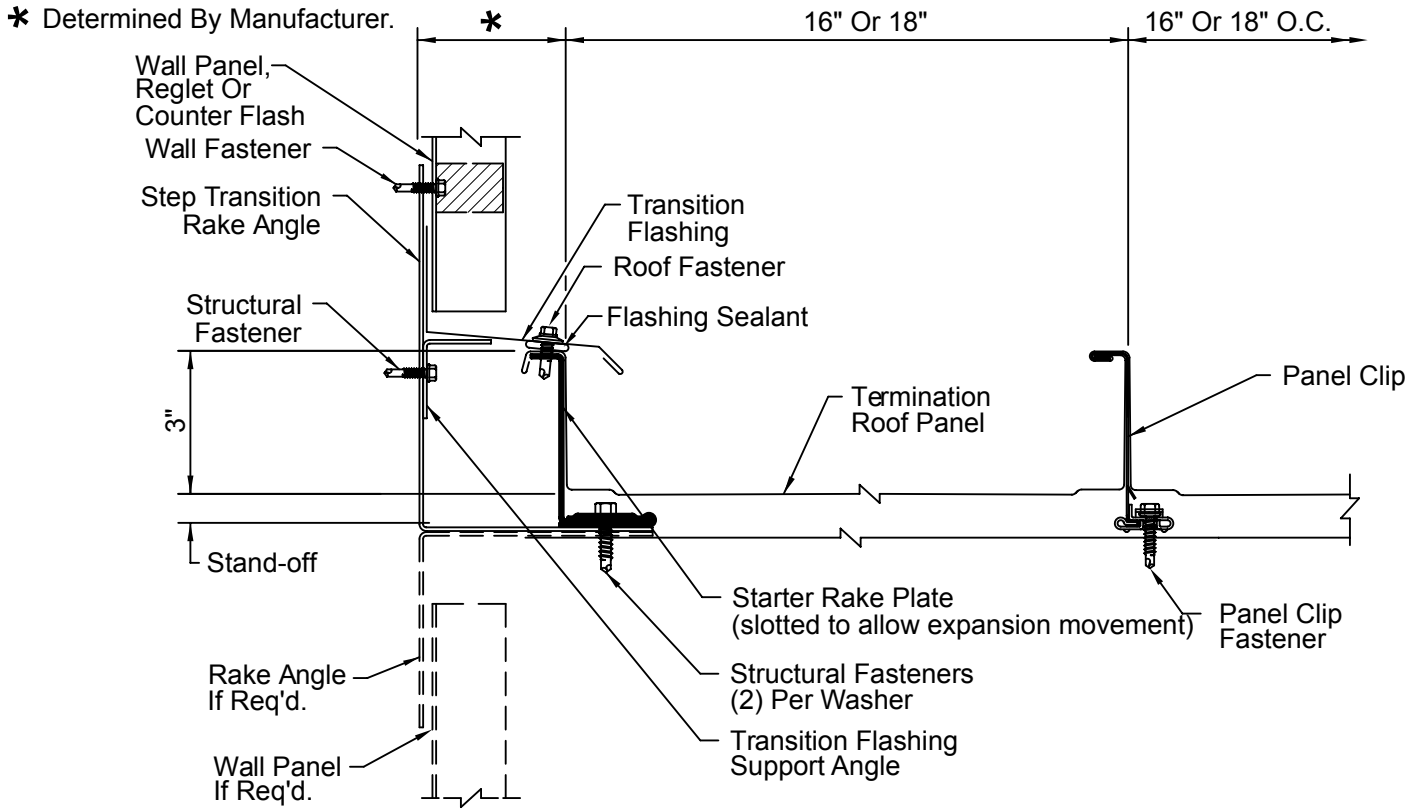


Alternate Transition Section With Backup Channels

* Determined By Manufacturer.

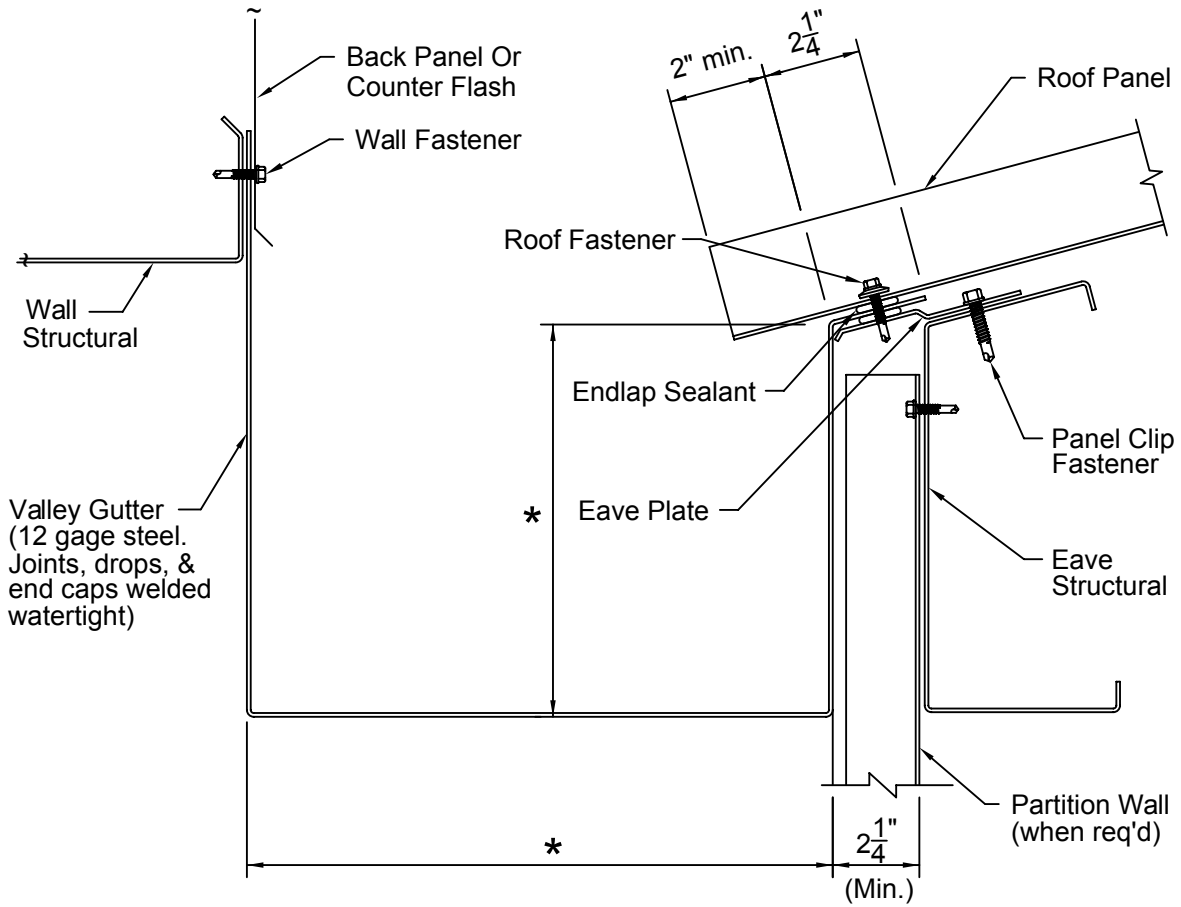


- Notes: 1. Detail Shown At Starting Rake, Detail At Finish Rake Is Similar.
 2. For Clarity Of Detail, Roof Insulation Is Not Shown.



- Notes: 1. Detail Shown At Starting Rake, Detail At Finish Rake Is Similar.
 2. For Clarity Of Detail, Roof Insulation Is Not Shown.

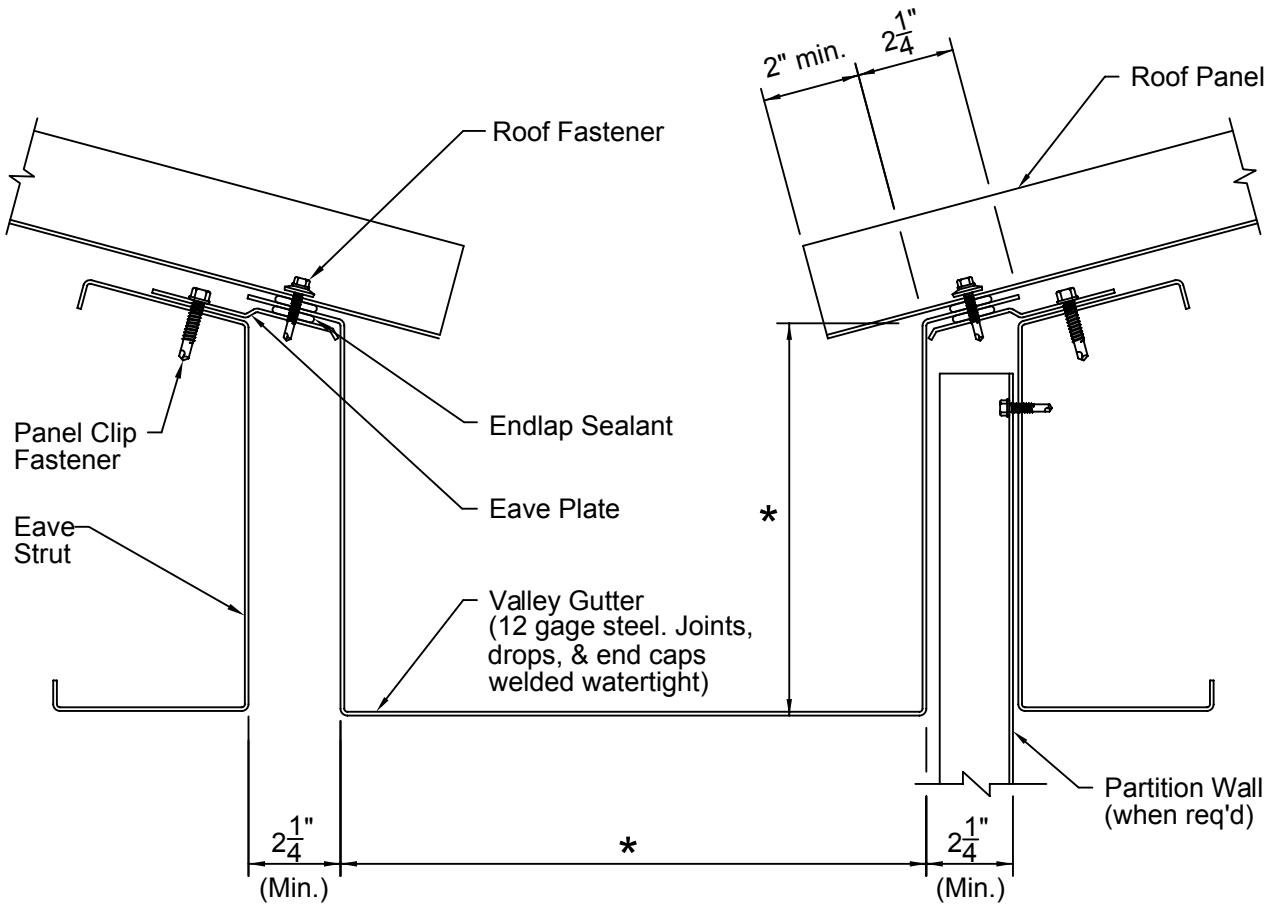
Note: For Clarity Of Detail,
Roof Insulation Is Not Shown



* As Determined By Manufacturer

CAUTION
Interior Gutter Must Be
Provided With Protection From
Corrosion, Icing, Damming &
Interior Condensation

Note: For Clarity Of Detail,
Roof Insulation Is Not Shown



* As Determined By Manufacturer

CAUTION
Interior Gutter Must Be
Provided With Protection From
Corrosion, Icing, Damming &
Interior Condensation