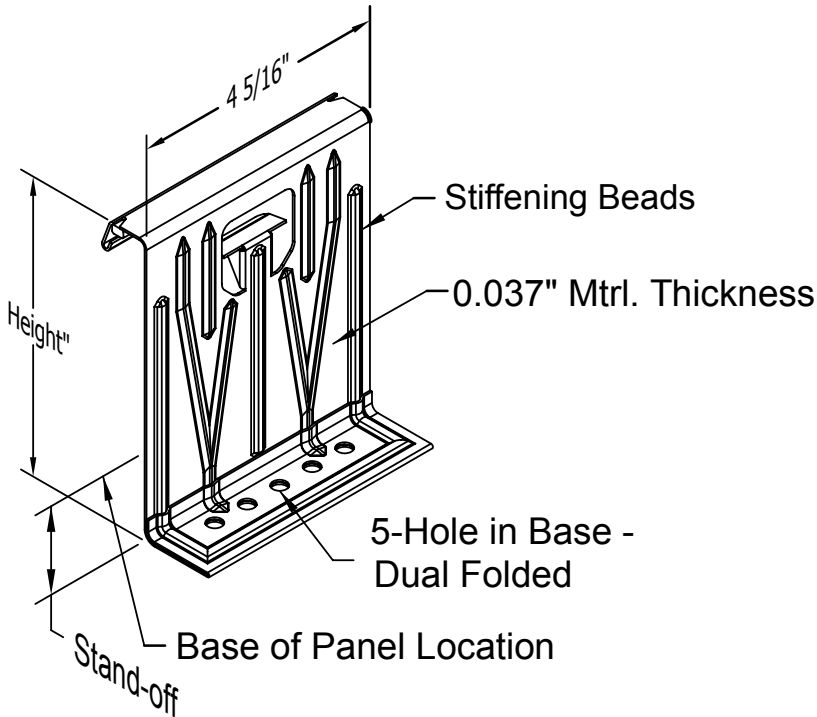


## TS 324 FC60X SERIES STANDARD FIXED CLIP



Part #	Stand-Off	Height
FC 602	1/2"	3-1/2"
FC 603	1-1/2"	4-1/2"

### CONSTRUCTION, TESTING, SEAMING

- G-90 Galvanized 50ksi Steel Coating
- UL 90 Approved : Construction # 552, 552A and 552B
- ASTM E 455-16 Diaphragm Shear Strength C2120-1
- ASTM E 1592 Wind Uplift
- Three Mechanical Seam Options: RollLok®, TripleLok® and QuadLok®

### THERMAL MOVEMENT

- NOT recommended - Max Width: 25' plane
- NOT recommended for bar joists or decking